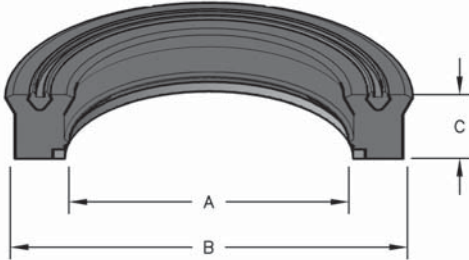


SELLOS TIPO U PARA VÁSTAGOS, SÚPER FUERTES, ESTILO MRTUB

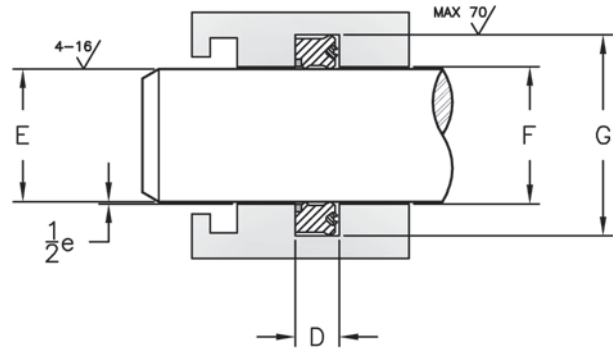
Nuestro sellos para vástagos de poliuretano de acción simple y primera calidad incorpora un energizador de NBR para sellar a baja presión. El diseño de doble labio proporciona estabilidad y retención de lubricantes para reducir la fricción en el sellado de vástagos en seco. El anillo de respaldo de acetal duro resiste la extrusión. El MRTUB soporta presiones de hasta 10.000 psi en aplicaciones aprobadas. Consulte a Hercules Engineering para aplicaciones con presiones que superen los 6.000 psi.



HERCULES N° DE PARTES

MRTUB - 35 x 50 x 9.5

Tipo de Sello Diámetro del Vástago Diámetro de la Ranura Altura



INFORMACIÓN DEL SELLO

MATERIAL

94A URETANO SEAL
RUBBER ENERGIZER
POLYACETAL ANTI-EXTRUSION RING

CODICIONES MAXIMAS DE OPERACION

VELOCIDAD MAXIMA

RANGO DE PRESION

RANGO DE TEMPERATURA

3 Pie/Seg

0 - 6,000 psi

-40° a +110° C

ESPACIO MAXIMO DE EXTRUSION

PRESIÓN

2,400 psi

3,750 psi

6,000 psi

7,500 psi

10,000 psi

Diámetro DEL ESPACIO
MAX. DE LA RANURA

.040"

.032"

.024"

.016"

.010"

N° de Parte	A Nom. DI	B Nom. DE	C Nom. A	D Ancho de la Ranura	E Diámetro del Vástago	F Throat Diámetro	G Housing Diámetro
MRTUB-35X50X9.5	35	50	9.5	10.5 +0.25 -0.00	35.00 -0.025 -0.087	35.00 +0.062 -0.000	50.00 ±0.080
MRTUB-36X46X7.3	36	46	7.3	8.0 +0.25 -0.00	36.00 -0.025 -0.087	36.00 +0.062 -0.000	46.00 ±0.080
MRTUB-40X50X7.3	40	50	7.3	8.0 +0.25 -0.00	40.00 -0.025 -0.087	40.00 +0.062 -0.000	50.00 ±0.080
MRTUB-45X55X7.3	45	55	7.3	8.0 +0.25 -0.00	45.00 -0.025 -0.087	45.00 +0.062 -0.000	55.00 ±0.095
MRTUB-45X60X11.4	45	60	11.4	12.5 +0.25 -0.00	45.00 -0.025 -0.087	45.00 +0.062 -0.000	60.00 ±0.095
MRTUB-50X60X7.3	50	60	7.3	8.0 +0.25 -0.00	50.00 -0.025 -0.087	50.00 +0.062 -0.000	60.00 ±0.095
MRTUB-50X65X11.4	50	65	11.4	12.5 +0.25 -0.00	50.00 -0.025 -0.087	50.00 +0.062 -0.000	65.00 ±0.095
MRTUB-55X70X11.4	55	70	11.4	12.5 +0.25 -0.00	55.00 -0.030 -0.104	55.00 +0.074 -0.000	70.00 ±0.095

SELLOS TIPO U PARA VÁSTAGOS, SÚPER FUERTES, ESTILO MRTUB



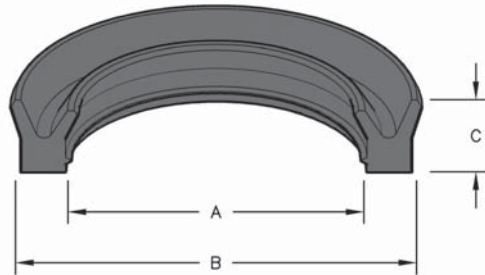
SELLOS "U" PARA VÁSTAGO

N° de Parte	A Nom. DI	B Nom. DE	C Nom. A	D Ancho de la Ranura	E Diámetro del Vástago	F Throat Diámetro	G Housing Diámetro
MRTUB-56X71X11.4	56	71	11.4	12.5 +0.25 -0.00	56.00 -0.030 -0.104	56.00 +0.074 -0.000	71.00 ±0.095
MRTUB-60X73X13	60	73	13.0	14.0 +0.25 -0.00	60.00 -0.030 -0.104	60.00 +0.074 -0.000	73.00 ±0.095
MRTUB-60X75X11.4	60	75	11.4	12.5 +0.25 -0.00	60.00 -0.030 -0.104	60.00 +0.074 -0.000	75.00 ±0.095
MRTUB-63X78X11.4	63	78	11.4	12.5 +0.25 -0.00	63.00 -0.030 -0.104	63.00 +0.074 -0.000	78.00 ±0.095
MRTUB-63X83X11.8	63	83	11.8	13.0 +0.25 -0.00	63.00 -0.030 -0.104	63.00 +0.074 -0.000	83.00 ±0.110
MRTUB-70X85X11.4	70	85	11.4	12.5 +0.25 -0.00	70.00 -0.030 -0.104	70.00 +0.074 -0.000	85.00 ±0.110
MRTUB-75X88X13	75	88	13.0	14.0 +0.25 -0.00	75.00 -0.030 -0.104	75.00 +0.074 -0.000	88.00 ±0.110
MRTUB-80X95X11.4	80	95	11.4	12.5 +0.25 -0.00	80.00 -0.030 -0.104	80.00 +0.074 -0.000	95.00 ±0.110
MRTUB-80X95X13	80	95	13.0	14.0 +0.25 -0.00	80.00 -0.030 -0.104	80.00 +0.074 -0.000	95.00 ±0.110
MRTUB-85X100X13	85	100	13.0	14.0 +0.25 -0.00	85.00 -0.036 -0.123	85.00 +0.087 -0.000	100.00 ±0.110
MRTUB-90X105X11.4	90	105	11.4	12.5 +0.25 -0.00	90.00 -0.036 -0.123	90.00 +0.087 -0.000	105.00 ±0.110
MRTUB-90X105X13	90	105	13.0	14.0 +0.25 -0.00	90.00 -0.036 -0.123	90.00 +0.087 -0.000	105.00 ±0.110
MRTUB-95X110X13	95	110	13.0	14.0 +0.25 -0.00	95.00 -0.036 -0.123	95.00 +0.087 -0.000	110.00 ±0.110
MRTUB-100X115X13	100	115	13.0	14.0 +0.25 -0.00	100.00 -0.036 -0.123	100.00 +0.087 -0.000	115.00 ±0.110
MRTUB-100X120X14.6	100	120	14.6	16.0 +0.25 -0.00	100.00 -0.036 -0.123	100.00 +0.087 -0.000	120.00 ±0.110
MRTUB-110X130X13	110	130	13.0	14.0 +0.25 -0.00	110.00 -0.036 -0.123	110.00 +0.087 -0.000	130.00 ±0.125
MRTUB-110X130X14.6	110	130	14.6	16.0 +0.25 -0.00	110.00 -0.036 -0.123	110.00 +0.087 -0.000	130.00 ±0.125
MRTUB-120X135X14.6	120	135	14.6	16.0 +0.25 -0.00	120.00 -0.036 -0.123	120.00 +0.087 -0.000	135.00 ±0.125
MRTUB-120X140X13	120	140	13.0	14.0 +0.25 -0.00	120.00 -0.036 -0.123	120.00 +0.087 -0.000	140.00 ±0.125
MRTUB-140X160X13	140	160	13.0	14.0 +0.25 -0.00	140.00 -0.043 -0.143	140.00 +0.100 -0.000	160.00 ±0.125

El color del sello puede variar. Medidas especiales están disponibles. Medidas no ofrecidas en el catálogo pueden también ser ordenadas para entrega al siguiente día a través de nuestro programa de sellos especiales. Por favor comunicarse con su representante de ventas para asistencia inmediata.

SELLOS TIPO U PARA VÁSTAGOS ESTILO MRTU

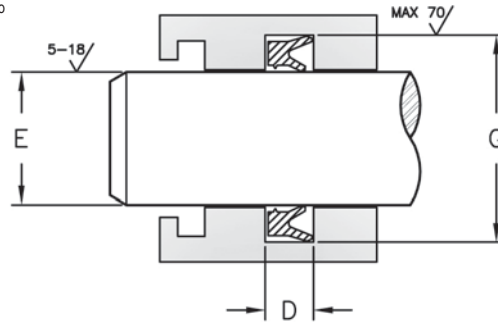
Este sello está moldeado en uretano resistente y utiliza un labio adicional cerca de la base. El diseño de doble labio proporciona estabilidad, retención de lubricante para reducir la fricción y resistencia a la contaminación. VME: el labio secundario está más alejado e la base que en el MRTU estándar. NOTA: E = Uretano europeo.



HERCULES N° DE PARTES

MRTU - 12 x 18 x 5.7

Tipo de Sello Diámetro Diámetro Altura
Interno Externo



INFORMACIÓN DEL SELLO

MATERIAL	URETANO
RANGO DE TEMPERATURA	-40° TO +225° F E: -54° A 104° C
RANGO DE PRESIÓN	0 a 5,000 PSI
VELOCIDAD	3 Pie/Seg

SELLOS "U" PARA VÁSTAGO

N° de Parte	A Nom. DI	B Nom. DE	C Nom. A	D Ancho de la Ranura	E Diámetro del Vástago	G Housing Diameter
MRTU-12X18X5.7	12	18	5.7	6.3 +0.250 0.000	12 -0.016 -0.059	18 ±0.055
MRTU-12X20X5.7	12	20	5.7	6.3 +0.250 0.000	12 -0.016 -0.059	20 ±0.065
MRTU-16X22X5	16	22	5	6 +0.250 0.000	16 -0.016 -0.059	22 ±0.065
MRTU-16X24X5	16	24	5	5.50 +0.250 0.000	16 -0.016 -0.059	24 ±0.065
MRTU-16X24X5.7	16	24	5.7	6.3 +0.250 0.000	16 -0.016 -0.059	24 ±0.065
MRTU-16X26X7.7	16	26	7.7	9 +0.250 0.000	16 -0.016 -0.059	26 ±0.065
MRTU-18X25X5	18	25	5	6 +0.250 0.000	18 -0.016 -0.059	25 ±0.065
MRTU-18X26X6	18	26	6	7 +0.250 0.000	18 -0.016 -0.059	26 ±0.065
MRTU-20X26X5	20	26	5	5.5 +0.250 0.000	20 -0.020 -0.072	26 ±0.065
MRTU-20X28X5.7	20	28	5.7	6.3 +0.250 0.000	20 -0.020 -0.072	28 ±0.065
MRTU-20X30X7.7	20	30	7.7	9 +0.250 0.000	20 -0.020 -0.072	30 ±0.065
MRTU-22X30X5.7	22	30	5.7	6.3 +0.250 0.000	22 -0.020 -0.072	30 ±0.065
MRTU-22X32X7.3	22	32	7.3	8 +0.250 0.000	22 -0.020 -0.072	32 ±0.080

SELLOS TIPO U PARA VÁSTAGOS ESTILO MRTU



SELLOS "U" PARA VÁSTAGO

N° de Parte	A Nom. DI	B Nom. DE	C Nom. A	D Ancho de la Ranura	E Diámetro del Vástago	G Housing Diameter
MRTU-25X33X5.7	25	33	5.7	6.3 $\begin{matrix} +0.250 \\ 0.000 \end{matrix}$	25 $\begin{matrix} -0.020 \\ -0.072 \end{matrix}$	33 ± 0.080
MRTU-25X35X7.7	25	35	7.7	9 $\begin{matrix} +0.250 \\ 0.000 \end{matrix}$	25 $\begin{matrix} -0.020 \\ -0.072 \end{matrix}$	35 ± 0.080
MRTU-25X35X8	25	35	8	9 $\begin{matrix} +0.250 \\ 0.000 \end{matrix}$	25 $\begin{matrix} -0.020 \\ -0.072 \end{matrix}$	35 ± 0.080
MRTU-25X35X10	25	35	10	11 $\begin{matrix} +0.250 \\ 0.000 \end{matrix}$	25 $\begin{matrix} -0.020 \\ -0.072 \end{matrix}$	35 ± 0.080
MRTU-28X38X7.3	28	38	7.3	8 $\begin{matrix} +0.250 \\ 0.000 \end{matrix}$	28 $\begin{matrix} -0.020 \\ -0.072 \end{matrix}$	38 ± 0.080
MRTU-28X43X11.4	28	43	11.4	12.5 $\begin{matrix} +0.250 \\ 0.000 \end{matrix}$	28 $\begin{matrix} -0.020 \\ -0.072 \end{matrix}$	43 ± 0.080
MRTU-30X38X6.3	30	38	6.3	7 $\begin{matrix} +0.250 \\ 0.000 \end{matrix}$	30 $\begin{matrix} -0.020 \\ -0.072 \end{matrix}$	38 ± 0.080
MRTU-30X40X6	30	40	6	7 $\begin{matrix} +0.250 \\ 0.000 \end{matrix}$	30 $\begin{matrix} -0.020 \\ -0.072 \end{matrix}$	40 ± 0.080
MRTU-30X40X6.5-E	30	40	6.5	7.5 $\begin{matrix} +0.250 \\ 0.000 \end{matrix}$	30 $\begin{matrix} -0.020 \\ -0.072 \end{matrix}$	40 ± 0.080
MRTU-30X40X10	30	40	10	11 $\begin{matrix} +0.250 \\ 0.000 \end{matrix}$	30 $\begin{matrix} -0.020 \\ -0.072 \end{matrix}$	40 ± 0.080
MRTU-32X40X6	32	40	6	7 $\begin{matrix} +0.250 \\ 0.000 \end{matrix}$	32 $\begin{matrix} -0.025 \\ -0.087 \end{matrix}$	40 ± 0.080
MRTU-32X40X7.7	32	40	7.7	9 $\begin{matrix} +0.250 \\ 0.000 \end{matrix}$	32 $\begin{matrix} -0.025 \\ -0.087 \end{matrix}$	40 ± 0.080
MRTU-32X42X5.7	32	42	5.7	6.3 $\begin{matrix} +0.250 \\ 0.000 \end{matrix}$	32 $\begin{matrix} -0.025 \\ -0.087 \end{matrix}$	42 ± 0.080
MRTU-32X42X7.3	32	42	7.3	8 $\begin{matrix} +0.250 \\ 0.000 \end{matrix}$	32 $\begin{matrix} -0.025 \\ -0.087 \end{matrix}$	42 ± 0.080
MRTU-32X42X10	32	42	10	11 $\begin{matrix} +0.250 \\ 0.000 \end{matrix}$	32 $\begin{matrix} -0.025 \\ -0.087 \end{matrix}$	42 ± 0.080
MRTU-32X47X9.1	32	47	9.1	10 $\begin{matrix} +0.250 \\ 0.000 \end{matrix}$	32 $\begin{matrix} -0.025 \\ -0.087 \end{matrix}$	47 ± 0.080
MRTU-32X47X10	32	47	10	11 $\begin{matrix} +0.250 \\ 0.000 \end{matrix}$	32 $\begin{matrix} -0.025 \\ -0.087 \end{matrix}$	47 ± 0.080
MRTU-35X43X6.3	35	43	6.3	7 $\begin{matrix} +0.250 \\ 0.000 \end{matrix}$	35 $\begin{matrix} -0.025 \\ -0.087 \end{matrix}$	43 ± 0.080
MRTU-35X43X8.2	35	43	8.2	9 $\begin{matrix} +0.250 \\ 0.000 \end{matrix}$	35 $\begin{matrix} -0.025 \\ -0.087 \end{matrix}$	43 ± 0.080
MRTU-35X45X6	35	45	6	7 $\begin{matrix} +0.250 \\ 0.000 \end{matrix}$	35 $\begin{matrix} -0.025 \\ -0.087 \end{matrix}$	45 ± 0.080
MRTU-35X45X6-E	35	45	6	7 $\begin{matrix} +0.250 \\ 0.000 \end{matrix}$	35 $\begin{matrix} -0.025 \\ -0.087 \end{matrix}$	45 ± 0.080
MRTU-35X45X7.7	35	45	7.7	9 $\begin{matrix} +0.250 \\ 0.000 \end{matrix}$	35 $\begin{matrix} -0.025 \\ -0.087 \end{matrix}$	45 ± 0.080
MRTU-35X45X10	35	45	10	11 $\begin{matrix} +0.250 \\ 0.000 \end{matrix}$	35 $\begin{matrix} -0.025 \\ -0.087 \end{matrix}$	45 ± 0.080
MRTU-35X50X9	35	50	9	10 $\begin{matrix} +0.250 \\ 0.000 \end{matrix}$	35 $\begin{matrix} -0.025 \\ -0.087 \end{matrix}$	50 ± 0.080
MRTU-35X50X10	35	50	10	11 $\begin{matrix} +0.250 \\ 0.000 \end{matrix}$	35 $\begin{matrix} -0.025 \\ -0.087 \end{matrix}$	50 ± 0.080
MRTU-36X44X6.4	36	44	6.4	7.5 $\begin{matrix} +0.250 \\ 0.000 \end{matrix}$	36 $\begin{matrix} -0.025 \\ -0.087 \end{matrix}$	44 ± 0.080
MRTU-36X44X8	36	44	8	9 $\begin{matrix} +0.250 \\ 0.000 \end{matrix}$	36 $\begin{matrix} -0.025 \\ -0.087 \end{matrix}$	44 ± 0.080
MRTU-36X46X7	36	46	7	8 $\begin{matrix} +0.250 \\ 0.000 \end{matrix}$	36 $\begin{matrix} -0.025 \\ -0.087 \end{matrix}$	46 ± 0.080
MRTU-36X46X10	36	46	10	11 $\begin{matrix} +0.250 \\ 0.000 \end{matrix}$	36 $\begin{matrix} -0.025 \\ -0.087 \end{matrix}$	46 ± 0.080
MRTU-38X48X8	38	48	8	9 $\begin{matrix} +0.250 \\ 0.000 \end{matrix}$	38 $\begin{matrix} -0.025 \\ -0.087 \end{matrix}$	48 ± 0.080

SELLOS TIPO U PARA VÁSTAGOS ESTILO MRTU

SELLOS "U" PARA VÁSTAGO

N° de Parte	A Nom. DI	B Nom. DE	C Nom. A	D Ancho de la Ranura	E Diámetro del Vástago	G Housing Diameter
MRTU-40X48X5.8-E	40	48	5.8	6.3 $\begin{matrix} +0.250 \\ 0.000 \end{matrix}$	40 $\begin{matrix} -0.025 \\ -0.087 \end{matrix}$	48 ± 0.080
MRTU-40X48X8.2	40	48	8.2	9 $\begin{matrix} +0.250 \\ 0.000 \end{matrix}$	40 $\begin{matrix} -0.025 \\ -0.087 \end{matrix}$	48 ± 0.080
MRTU-40X50X7	40	50	7	8 $\begin{matrix} +0.250 \\ 0.000 \end{matrix}$	40 $\begin{matrix} -0.025 \\ -0.087 \end{matrix}$	50 ± 0.080
MRTU-40X50X8	40	50	8	9 $\begin{matrix} +0.250 \\ 0.000 \end{matrix}$	40 $\begin{matrix} -0.025 \\ -0.087 \end{matrix}$	50 ± 0.080
MRTU-40X50X10	40	50	10	11 $\begin{matrix} +0.250 \\ 0.000 \end{matrix}$	40 $\begin{matrix} -0.025 \\ -0.087 \end{matrix}$	50 ± 0.080
MRTU-40X55X10	40	55	10	11 $\begin{matrix} +0.250 \\ 0.000 \end{matrix}$	40 $\begin{matrix} -0.025 \\ -0.087 \end{matrix}$	55 ± 0.095
MRTU-45X53X8.1	45	53	8.1	9 $\begin{matrix} +0.250 \\ 0.000 \end{matrix}$	45 $\begin{matrix} -0.025 \\ -0.087 \end{matrix}$	53 ± 0.095
MRTU-45X55X7-E	45	55	7	8 $\begin{matrix} +0.250 \\ +0.000 \end{matrix}$	45 $\begin{matrix} -0.025 \\ -0.087 \end{matrix}$	55 ± 0.095
MRTU-45X55X7.3	45	55	7.3	8 $\begin{matrix} +0.250 \\ 0.000 \end{matrix}$	45 $\begin{matrix} -0.025 \\ -0.087 \end{matrix}$	55 ± 0.095
MRTU-45X55X10	45	55	10	11 $\begin{matrix} +0.250 \\ 0.000 \end{matrix}$	45 $\begin{matrix} -0.025 \\ -0.087 \end{matrix}$	55 ± 0.095
MRTU-45X60X10	45	60	10	11 $\begin{matrix} +0.250 \\ 0.000 \end{matrix}$	45 $\begin{matrix} -0.025 \\ -0.087 \end{matrix}$	60 ± 0.095
MRTU-45X65X10	45	65	10	11 $\begin{matrix} +0.250 \\ 0.000 \end{matrix}$	45 $\begin{matrix} -0.025 \\ -0.087 \end{matrix}$	65 ± 0.095
MRTU-48X56X12-E	48	56	12	13 $\begin{matrix} +0.250 \\ 0.000 \end{matrix}$	48 $\begin{matrix} -0.025 \\ -0.087 \end{matrix}$	56 ± 0.095
MRTU-50X60X7.3	50	60	7.3	8 $\begin{matrix} +0.250 \\ 0.000 \end{matrix}$	50 $\begin{matrix} -0.025 \\ -0.087 \end{matrix}$	60 ± 0.095
MRTU-50X60X10	50	60	10	11 $\begin{matrix} +0.250 \\ 0.000 \end{matrix}$	50 $\begin{matrix} -0.025 \\ -0.087 \end{matrix}$	60 ± 0.095
MRTU-50X60X11.8	50	60	11.8	13 $\begin{matrix} +0.250 \\ 0.000 \end{matrix}$	50 $\begin{matrix} -0.025 \\ -0.087 \end{matrix}$	60 ± 0.095
MRTU-50X65X9.5	50	65	9.5	10.5 $\begin{matrix} +0.250 \\ 0.000 \end{matrix}$	50 $\begin{matrix} -0.025 \\ -0.087 \end{matrix}$	65 ± 0.095
MRTU-50X65X10	50	65	10	11 $\begin{matrix} +0.250 \\ 0.000 \end{matrix}$	50 $\begin{matrix} -0.025 \\ -0.087 \end{matrix}$	65 ± 0.095
MRTU-50X65X11	50	65	11	12 $\begin{matrix} +0.250 \\ 0.000 \end{matrix}$	50 $\begin{matrix} -0.025 \\ -0.087 \end{matrix}$	65 ± 0.095
MRTU-50X65X14.5	50	65	14.5	16 $\begin{matrix} +0.250 \\ 0.000 \end{matrix}$	50 $\begin{matrix} -0.025 \\ -0.087 \end{matrix}$	65 ± 0.095
MRTU-55X65X10	55	65	10	11 $\begin{matrix} +0.250 \\ 0.000 \end{matrix}$	55 $\begin{matrix} -0.030 \\ -0.104 \end{matrix}$	65 ± 0.095
MRTU-55X70X11.4-HT	55	70	11.4	12.5 $\begin{matrix} +0.250 \\ +0.000 \end{matrix}$	55 $\begin{matrix} -0.030 \\ -0.104 \end{matrix}$	70 ± 0.095
MRTU-55X70X11.8	55	70	11.8	13 $\begin{matrix} +0.250 \\ 0.000 \end{matrix}$	55 $\begin{matrix} -0.030 \\ -0.104 \end{matrix}$	70 ± 0.095
MRTU-56X66X10	56	66	10	11 $\begin{matrix} +0.250 \\ 0.000 \end{matrix}$	56 $\begin{matrix} -0.030 \\ -0.104 \end{matrix}$	66 ± 0.095
MRTU-56X71X10	56	71	10	11 $\begin{matrix} +0.250 \\ 0.000 \end{matrix}$	56 $\begin{matrix} -0.030 \\ -0.104 \end{matrix}$	71 ± 0.095
MRTU-56X71X11	56	71	11	12.5 $\begin{matrix} +0.250 \\ 0.000 \end{matrix}$	56 $\begin{matrix} -0.030 \\ -0.104 \end{matrix}$	71 ± 0.095
MRTU-60X68X11	60	68	11	12.5 $\begin{matrix} +0.250 \\ 0.000 \end{matrix}$	60 $\begin{matrix} -0.030 \\ -0.104 \end{matrix}$	68 ± 0.095
MRTU-60X70X10	60	70	10	11 $\begin{matrix} +0.250 \\ 0.000 \end{matrix}$	60 $\begin{matrix} -0.030 \\ -0.104 \end{matrix}$	70 ± 0.095
MRTU-60X70X11.8	60	70	11.8	13 $\begin{matrix} +0.250 \\ 0.000 \end{matrix}$	60 $\begin{matrix} -0.030 \\ -0.104 \end{matrix}$	70 ± 0.095
MRTU-60X71X7	60	71	7	8 $\begin{matrix} +0.250 \\ 0.000 \end{matrix}$	60 $\begin{matrix} -0.030 \\ -0.104 \end{matrix}$	71 ± 0.095

SELLOS TIPO U PARA VÁSTAGOS ESTILO MRTU



SELLOS "U" PARA VÁSTAGO

N° de Parte	A Nom. DI	B Nom. DE	C Nom. A	D Ancho de la Ranura	E Diámetro del Vástago	G Housing Diameter
MRTU-60X72X10	60	72	10	11 +0.250 0.000	60 -0.030 -0.104	72 ±0.095
MRTU-60X75X10	60	75	10	11 +0.250 0.000	60 -0.030 -0.104	75 ±0.095
MRTU-60X75X11.8	60	75	11.8	13 +0.250 0.000	60 -0.030 -0.104	75 ±0.095
MRTU-60X76X10	60	76	10	11 +0.250 0.000	60 -0.030 -0.104	76 ±0.095
MRTU-60X80X12	60	80	12	13 +0.250 0.000	60 -0.030 -0.104	80 ±0.095
MRTU-63X73X12	63	73	12	13 +0.250 0.000	63 -0.030 -0.104	73 ±0.095
MRTU-63X78X10	63	78	10	11 +0.250 0.000	63 -0.030 -0.104	78 ±0.095
MRTU-63X78X11.4	63	78	11.4	12.5 +0.250 0.000	63 -0.030 -0.104	78 ±0.095
MRTU-65X75X11.8	65	75	11.8	13 +0.250 0.000	65 -0.030 -0.104	75 ±0.095
MRTU-65X78X10	65	78	10	11 +0.250 0.000	65 -0.030 -0.104	78 ±0.095
MRTU-70X80X12	70	80	12	13 +0.250 0.000	70 -0.030 -0.104	80 ±0.095
MRTU-70X83X10	70	83	10	11 +0.250 0.000	70 -0.030 -0.104	83 ±0.110
MRTU-70X85X10	70	85	10	11 +0.250 0.000	70 -0.030 -0.104	85 ±0.110
MRTU-70X85X11.5	70	85	11.5	12.5 +0.250 0.000	70 -0.030 -0.104	85 ±0.110
MRTU-75X85X11.8	75	85	11.8	13 +0.250 0.000	75 -0.030 -0.104	85 ±0.110
MRTU-75X88X10	75	88	10	11 +0.250 0.000	75 -0.030 -0.104	88 ±0.110
MRTU-75X90X9-E	75	90	9	10 +0.250 +0.000	75 -0.030 -0.104	90 ±0.110
MRTU-80X90X10	80	90	10	11 +0.250 0.000	80 -0.030 -0.104	90 ±0.110
MRTU-80X90X12	80	90	12	13 +0.250 0.000	80 -0.030 -0.104	90 ±0.110
MRTU-80X93X10	80	93	10	11 +0.250 0.000	80 -0.030 -0.104	93 ±0.110
MRTU-80X95X12	80	95	12	13 +0.250 0.000	80 -0.030 -0.104	95 ±0.110
MRTU-80X100X12	80	100	12	13 +0.250 0.000	80 -0.030 -0.104	100 ±0.110
MRTU-80X100X14.5	80	100	14.5	16 +0.250 0.000	80 -0.030 -0.104	100 ±0.110
MRTU-85X100X9	85	100	9	10 +0.250 0.000	85 -0.036 -0.123	100 ±0.110
MRTU-85X100X10	85	100	10	11 +0.250 0.000	85 -0.036 -0.123	100 ±0.110
MRTU-90X100X11.5-VME	90	100	11.5	12.5 +0.250 0.000	90 -0.036 -0.123	100 ±0.110
MRTU-90X105X9	90	105	9	10 +0.250 0.000	90 -0.036 -0.123	105 ±0.110
MRTU-90X105X11.4	90	105	11.4	12.5 +0.250 0.000	90 -0.036 -0.123	105 ±0.110
MRTU-95X115X12	95	115	12	13 +0.250 0.000	95 -0.036 -0.123	115 ±0.110
MRTU-100X115X9	100	115	9	10 +0.250 0.000	100 -0.036 -0.123	115 ±0.110

SELLOS TIPO U PARA VÁSTAGOS ESTILO MRTU

SELLOS "U" PARA VÁSTAGO

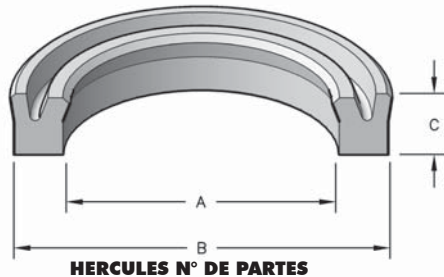
N° de Parte	A Nom. DI	B Nom. DE	C Nom. A	D Ancho de la Ranura	E Diámetro del Vástago	G Housing Diameter
MRTU-100X115X12	100	115	12	13 $\begin{matrix} +0.250 \\ 0.000 \end{matrix}$	100 $\begin{matrix} -0.036 \\ -0.123 \end{matrix}$	115 ± 0.110
MRTU-100X120X11.8	100	120	11.8	13 $\begin{matrix} +0.250 \\ 0.000 \end{matrix}$	100 $\begin{matrix} -0.036 \\ -0.123 \end{matrix}$	120 ± 0.110
MRTU-100X120X14.5	100	120	14.5	16 $\begin{matrix} +0.250 \\ 0.000 \end{matrix}$	100 $\begin{matrix} -0.036 \\ -0.123 \end{matrix}$	120 ± 0.110
MRTU-105X113X13.5-E	105	113	13.5	14.5 $\begin{matrix} +0.250 \\ 0.000 \end{matrix}$	105 $\begin{matrix} -0.036 \\ -0.123 \end{matrix}$	113 ± 0.110
MRTU-105X115X11.5-VME	105	115	11.5	12.5 $\begin{matrix} +0.250 \\ 0.000 \end{matrix}$	105 $\begin{matrix} -0.036 \\ -0.123 \end{matrix}$	115 ± 0.110
MRTU-105X115X13.2	105	115	13.2	14.5 $\begin{matrix} +0.250 \\ 0.000 \end{matrix}$	105 $\begin{matrix} -0.036 \\ -0.123 \end{matrix}$	115 ± 0.110
MRTU-105X120X14.5	105	120	14.5	16 $\begin{matrix} +0.250 \\ 0.000 \end{matrix}$	105 $\begin{matrix} -0.036 \\ -0.123 \end{matrix}$	120 ± 0.110
MRTU-110X125X14.5	110	125	14.5	16 $\begin{matrix} +0.250 \\ 0.000 \end{matrix}$	110 $\begin{matrix} -0.036 \\ -0.123 \end{matrix}$	125 ± 0.125
MRTU-110X130X11.8	110	130	11.8	13 $\begin{matrix} +0.250 \\ 0.000 \end{matrix}$	110 $\begin{matrix} -0.036 \\ -0.123 \end{matrix}$	130 ± 0.125
MRTU-110X130X14.5	110	130	14.5	16 $\begin{matrix} +0.250 \\ 0.000 \end{matrix}$	110 $\begin{matrix} -0.036 \\ -0.123 \end{matrix}$	130 ± 0.125
MRTU-120X130X11.5-VME	120	130	11.5	12.5 $\begin{matrix} +0.250 \\ 0.000 \end{matrix}$	120 $\begin{matrix} -0.036 \\ -0.123 \end{matrix}$	130 ± 0.125
MRTU-120X135X15	120	135	15	16 $\begin{matrix} +0.250 \\ 0.000 \end{matrix}$	120 $\begin{matrix} -0.036 \\ -0.123 \end{matrix}$	135 ± 0.125
MRTU-125X145X14.5	125	145	14.5	16 $\begin{matrix} +0.250 \\ 0.000 \end{matrix}$	125 $\begin{matrix} -0.043 \\ -0.143 \end{matrix}$	145 ± 0.125
MRTU-130X140X14.5	130	140	14.5	16 $\begin{matrix} +0.250 \\ 0.000 \end{matrix}$	130 $\begin{matrix} -0.043 \\ -0.143 \end{matrix}$	140 ± 0.125
MRTU-130X145X10	130	145	10	11 $\begin{matrix} +0.250 \\ 0.000 \end{matrix}$	130 $\begin{matrix} -0.043 \\ -0.143 \end{matrix}$	145 ± 0.125
MRTU-130X150X14.5	130	150	14.5	16 $\begin{matrix} +0.250 \\ 0.000 \end{matrix}$	130 $\begin{matrix} -0.043 \\ -0.143 \end{matrix}$	150 ± 0.125
MRTU-140X150X11.5	140	150	11.5	12 $\begin{matrix} +0.250 \\ 0.000 \end{matrix}$	140 $\begin{matrix} -0.043 \\ -0.143 \end{matrix}$	150 ± 0.125
MRTU-140X160X11.8	140	160	11.8	13 $\begin{matrix} +0.250 \\ 0.000 \end{matrix}$	140 $\begin{matrix} -0.043 \\ -0.143 \end{matrix}$	160 ± 0.125
MRTU-140X160X14.5	140	160	14.5	16 $\begin{matrix} +0.250 \\ 0.000 \end{matrix}$	140 $\begin{matrix} -0.043 \\ -0.143 \end{matrix}$	160 ± 0.125
MRTU-150X170X13	150	170	13	14.5 $\begin{matrix} +0.250 \\ 0.000 \end{matrix}$	150 $\begin{matrix} -0.043 \\ -0.143 \end{matrix}$	170 ± 0.125
MRTU-160X170X11.5-VME	160	170	11.5	12.5 $\begin{matrix} +0.250 \\ 0.000 \end{matrix}$	160 $\begin{matrix} -0.043 \\ -0.143 \end{matrix}$	170 ± 0.125
MRTU-160X180X14.5	160	180	14.5	16 $\begin{matrix} +0.250 \\ 0.000 \end{matrix}$	160 $\begin{matrix} -0.043 \\ -0.143 \end{matrix}$	180 ± 0.125
MRTU-177.7X195X9.5	177.7	195	9.5	10.5 $\begin{matrix} +0.250 \\ 0.000 \end{matrix}$	177.7 $\begin{matrix} -0.043 \\ -0.143 \end{matrix}$	195 ± 0.145

El color del sello puede variar. Medidas especiales están disponibles. Medidas no ofrecidas en el catálogo pueden también ser ordenadas para entrega al siguiente día a través de nuestro programa de sellos especiales. Por favor comunicarse con su representante de ventas para asistencia inmediata.

SELLOS TIPO U PARA VÁSTAGOS ESTILO MRU

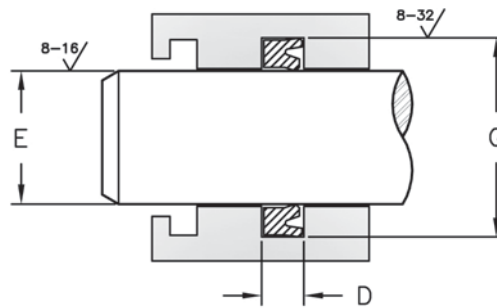


Este sello en U para vástagos está moldeado en uretano resistente y se ajusta en la ranura mientras ofrece mayor fuerza radial sobre el vástago. NOTA: E = Uretano europeo.



HERCULES N° DE PARTES

MRU - 6 x 14 x 5.7-E
 Tipo de Sello: MRU
 Diámetro Interno: 6
 Diámetro Externo: 14
 Altura: 5.7-E



INFORMACIÓN DEL SELLO	
MATERIAL	URETANO
RANGO DE TEMPERATURA	-65° a +230° F E: -22° a +212° F
RANGO DE PRESIÓN	0 a 5,000 PSI
VELOCIDAD	3 Pie/Seg

SELLOS "U" PARA VÁSTAGO

N° de Parte	A Nom. DI	B Nom. DE	C Nom. A	D Ancho de la Ranura	E Diámetro del Vástago	G Housing Diámetro
MRU-6X14X5.7-E	6	14	5.7	6.5 +0.300 0.000	6 -0.010 -0.028	14 +0.070 0.000
MRU-12X20X5.7-E	12	20	5.7	6.5 +0.300 0.000	12 -0.016 -0.043	20 +0.084 0.000
MRU-15X25X10	15	25	10	11 +0.300 0.000	15 -0.016 -0.043	25 +0.084 0.000
MRU-18X24X4.5-E	18	24	4.5	5 +0.300 0.000	18 -0.016 -0.043	24 +0.084 0.000
MRU-18X26X5.7-E	18	26	5.7	6.5 +0.300 0.000	18 -0.016 -0.043	26 +0.084 0.000
MRU-18X28X8-E	18	28	8	9 +0.300 0.000	18 -0.016 -0.043	28 +0.084 0.000
MRU-20X28X5.7	20	28	5.7	6.5 +0.300 0.000	20 -0.020 -0.053	28 +0.084 0.000
MRU-20X30X8	20	30	8	9 +0.300 0.000	20 -0.020 -0.053	30 +0.084 0.000
MRU-20X35X10-E	20	35	10	11 +0.300 0.000	20 -0.020 -0.053	35 +0.100 0.000
MRU-22X30X5.7-E	22	30	5.7	6.5 +0.300 0.000	22 -0.020 -0.053	30 +0.084 0.000
MRU-25X33X5.7	25	33	5.7	6.5 +0.300 0.000	25 -0.020 -0.053	33 +0.100 0.000
MRU-25X33X6.3-E	25	33	6.3	7 +0.300 0.000	25 -0.020 -0.053	33 +0.100 0.000
MRU-25X33X10-E	25	33	10	11 +0.300 0.000	25 -0.020 -0.053	33 +0.100 0.000
MRU-25X35X5	25	35	5	5.7 +0.300 0.000	25 -0.020 -0.053	35 +0.100 0.000
MRU-25X35X6	25	35	6	6.5 +0.300 0.000	25 -0.020 -0.053	35 +0.100 0.000

SELLOS TIPO U PARA VÁSTAGOS ESTILO MRU

SELLOS "U" PARA VÁSTAGO

N° de Parte	A Nom. DI	B Nom. DE	C Nom. A	D Ancho de la Ranura	E Diámetro del Vástago	G Housing Diámetro
MRU-25X35X7.2-E	25	35	7.2	8 ^{+0.300} / _{0.000}	25 ^{-0.020} / _{-0.053}	35 ^{+0.100} / _{0.000}
MRU-25X35X8	25	35	8	9 ^{+0.300} / _{0.000}	25 ^{-0.020} / _{-0.053}	35 ^{+0.100} / _{0.000}
MRU-25X35X10-E	25	35	10	11 ^{+0.300} / _{0.000}	25 ^{-0.020} / _{-0.053}	35 ^{+0.100} / _{0.000}
MRU-25X40X10-E	25	40	10	11 ^{+0.300} / _{0.000}	25 ^{-0.020} / _{-0.053}	40 ^{+0.100} / _{0.000}
MRU-28X38X7.3	28	38	7.3	8 ^{+0.300} / _{0.000}	28 ^{-0.020} / _{-0.053}	38 ^{+0.100} / _{0.000}
MRU-30X38X5.7-E	30	38	5.7	6.5 ^{+0.300} / _{0.000}	30 ^{-0.020} / _{-0.053}	38 ^{+0.100} / _{0.000}
MRU-30X38X8-E	30	38	8	9 ^{+0.300} / _{0.000}	30 ^{-0.020} / _{-0.053}	38 ^{+0.100} / _{0.000}
MRU-30X40X6	30	40	6	6.5 ^{+0.300} / _{0.000}	30 ^{-0.020} / _{-0.053}	40 ^{+0.100} / _{0.000}
MRU-30X40X7	30	40	7	8 ^{+0.300} / _{0.000}	30 ^{-0.020} / _{-0.053}	40 ^{+0.100} / _{0.000}
MRU-30X40X7.3	30	40	7.3	8 ^{+0.300} / _{0.000}	30 ^{-0.020} / _{-0.053}	40 ^{+0.100} / _{0.000}
MRU-30X40X8	30	40	8	9 ^{+0.300} / _{0.000}	30 ^{-0.020} / _{-0.053}	40 ^{+0.100} / _{0.000}
MRU-30X40X10-E	30	40	10	11 ^{+0.300} / _{0.000}	30 ^{-0.020} / _{-0.053}	40 ^{+0.100} / _{0.000}
MRU-30X43X9-E	30	43	9	10 ^{+0.300} / _{0.000}	30 ^{-0.020} / _{-0.053}	43 ^{+0.100} / _{0.000}
MRU-30X43X10	30	43	10	11 ^{+0.300} / _{0.000}	30 ^{-0.020} / _{-0.053}	43 ^{+0.100} / _{0.000}
MRU-30X46X9	30	46	9	10 ^{+0.300} / _{0.000}	30 ^{-0.020} / _{-0.053}	46 ^{+0.100} / _{0.000}
MRU-32X40X8-E	32	40	8	9 ^{+0.300} / _{0.000}	32 ^{-0.025} / _{-0.064}	40 ^{+0.100} / _{0.000}
MRU-32X42X6	32	42	6	6.5 ^{+0.300} / _{0.000}	32 ^{-0.025} / _{-0.064}	42 ^{+0.100} / _{0.000}
MRU-32X42X7.2-E	32	42	7.2	8 ^{+0.300} / _{0.000}	32 ^{-0.025} / _{-0.064}	42 ^{+0.100} / _{0.000}
MRU-32X45X9.5-E	32	45	9.5	10.5 ^{+0.300} / _{0.000}	32 ^{-0.025} / _{-0.064}	45 ^{+0.100} / _{0.000}
MRU-32X47X10-E	32	47	10	11 ^{+0.300} / _{0.000}	32 ^{-0.025} / _{-0.064}	47 ^{+0.100} / _{0.000}
MRU-33X43X10-E	33	43	10	11 ^{+0.300} / _{0.000}	33 ^{-0.025} / _{-0.064}	43 ^{+0.100} / _{0.000}
MRU-35X43X5.7-E	35	43	5.7	6.5 ^{+0.300} / _{0.000}	35 ^{-0.025} / _{-0.064}	43 ^{+0.100} / _{0.000}
MRU-35X43X8-E	35	43	8	9 ^{+0.300} / _{0.000}	35 ^{-0.025} / _{-0.064}	43 ^{+0.100} / _{0.000}
MRU-35X45X6	35	45	6	6.5 ^{+0.300} / _{0.000}	35 ^{-0.025} / _{-0.064}	45 ^{+0.100} / _{0.000}
MRU-35X45X6.3	35	45	6.3	7 ^{+0.300} / _{0.000}	35 ^{-0.025} / _{-0.064}	45 ^{+0.100} / _{0.000}
MRU-35X45X7	35	45	7	8 ^{+0.300} / _{0.000}	35 ^{-0.025} / _{-0.064}	45 ^{+0.100} / _{0.000}
MRU-35X45X7.3	35	45	7.3	8 ^{+0.300} / _{0.000}	35 ^{-0.025} / _{-0.064}	45 ^{+0.100} / _{0.000}
MRU-35X51X9	35	51	9	10 ^{+0.300} / _{0.000}	35 ^{-0.025} / _{-0.064}	51 ^{+0.120} / _{0.000}
MRU-36X44X5.7	36	44	5.7	6.5 ^{+0.300} / _{0.000}	36 ^{-0.025} / _{-0.064}	44 ^{+0.100} / _{0.000}

SELLOS TIPO U PARA VÁSTAGOS ESTILO MRU



SELLOS "U" PARA VÁSTAGO

N° de Parte	A Nom. DI	B Nom. DE	C Nom. A	D Ancho de la Ranura	E Diámetro del Vástago	G Housing Diámetro
MRU-36X46X7-E	36	46	7	8 $\begin{smallmatrix} +0.300 \\ 0.000 \end{smallmatrix}$	36 $\begin{smallmatrix} -0.025 \\ -0.064 \end{smallmatrix}$	46 $\begin{smallmatrix} +0.100 \\ 0.000 \end{smallmatrix}$
MRU-36X51X10-E	36	51	10	11 $\begin{smallmatrix} +0.300 \\ 0.000 \end{smallmatrix}$	36 $\begin{smallmatrix} -0.025 \\ -0.064 \end{smallmatrix}$	51 $\begin{smallmatrix} +0.120 \\ 0.000 \end{smallmatrix}$
MRU-40X48X5	40	48	5	5.7 $\begin{smallmatrix} +0.300 \\ 0.000 \end{smallmatrix}$	40 $\begin{smallmatrix} -0.025 \\ -0.064 \end{smallmatrix}$	48 $\begin{smallmatrix} +0.100 \\ 0.000 \end{smallmatrix}$
MRU-40X48X5.7-E	40	48	5.7	6.5 $\begin{smallmatrix} +0.300 \\ 0.000 \end{smallmatrix}$	40 $\begin{smallmatrix} -0.025 \\ -0.064 \end{smallmatrix}$	48 $\begin{smallmatrix} +0.100 \\ 0.000 \end{smallmatrix}$
MRU-40X50X6	40	50	6	6.5 $\begin{smallmatrix} +0.300 \\ 0.000 \end{smallmatrix}$	40 $\begin{smallmatrix} -0.025 \\ -0.064 \end{smallmatrix}$	50 $\begin{smallmatrix} +0.100 \\ 0.000 \end{smallmatrix}$
MRU-40X50X7.3	40	50	7.3	8 $\begin{smallmatrix} +0.300 \\ 0.000 \end{smallmatrix}$	40 $\begin{smallmatrix} -0.025 \\ -0.064 \end{smallmatrix}$	50 $\begin{smallmatrix} +0.100 \\ 0.000 \end{smallmatrix}$
MRU-40X52X8-E	40	52	8	9 $\begin{smallmatrix} +0.300 \\ 0.000 \end{smallmatrix}$	40 $\begin{smallmatrix} -0.025 \\ -0.064 \end{smallmatrix}$	52 $\begin{smallmatrix} +0.120 \\ 0.000 \end{smallmatrix}$
MRU-40X55X9	40	55	9	10 $\begin{smallmatrix} +0.300 \\ 0.000 \end{smallmatrix}$	40 $\begin{smallmatrix} -0.025 \\ -0.064 \end{smallmatrix}$	55 $\begin{smallmatrix} +0.120 \\ 0.000 \end{smallmatrix}$
MRU-40X55X10	40	55	10	11 $\begin{smallmatrix} +0.300 \\ 0.000 \end{smallmatrix}$	40 $\begin{smallmatrix} -0.025 \\ -0.064 \end{smallmatrix}$	55 $\begin{smallmatrix} +0.120 \\ 0.000 \end{smallmatrix}$
MRU-40X56X12	40	56	12	13 $\begin{smallmatrix} +0.300 \\ 0.000 \end{smallmatrix}$	40 $\begin{smallmatrix} -0.025 \\ -0.064 \end{smallmatrix}$	56 $\begin{smallmatrix} +0.120 \\ 0.000 \end{smallmatrix}$
MRU-40X60X12	40	60	12	13 $\begin{smallmatrix} +0.300 \\ 0.000 \end{smallmatrix}$	40 $\begin{smallmatrix} -0.025 \\ -0.064 \end{smallmatrix}$	60 $\begin{smallmatrix} +0.120 \\ 0.000 \end{smallmatrix}$
MRU-42X50X6	42	50	6	6.5 $\begin{smallmatrix} +0.300 \\ 0.000 \end{smallmatrix}$	42 $\begin{smallmatrix} -0.025 \\ -0.064 \end{smallmatrix}$	50 $\begin{smallmatrix} +0.100 \\ 0.000 \end{smallmatrix}$
MRU-42X52X7.3	42	52	7.3	8 $\begin{smallmatrix} +0.300 \\ 0.000 \end{smallmatrix}$	42 $\begin{smallmatrix} -0.025 \\ -0.064 \end{smallmatrix}$	52 $\begin{smallmatrix} +0.120 \\ 0.000 \end{smallmatrix}$
MRU-45X53X5.8-E	45	53	5.8	6.5 $\begin{smallmatrix} +0.300 \\ 0.000 \end{smallmatrix}$	45 $\begin{smallmatrix} -0.025 \\ -0.064 \end{smallmatrix}$	53 $\begin{smallmatrix} +0.120 \\ 0.000 \end{smallmatrix}$
MRU-45X55X6	45	55	6	6.5 $\begin{smallmatrix} +0.300 \\ 0.000 \end{smallmatrix}$	45 $\begin{smallmatrix} -0.025 \\ -0.064 \end{smallmatrix}$	55 $\begin{smallmatrix} +0.120 \\ 0.000 \end{smallmatrix}$
MRU-45X55X7.3	45	55	7.3	8 $\begin{smallmatrix} +0.300 \\ 0.000 \end{smallmatrix}$	45 $\begin{smallmatrix} -0.025 \\ -0.064 \end{smallmatrix}$	55 $\begin{smallmatrix} +0.120 \\ 0.000 \end{smallmatrix}$
MRU-45X58X9-E	45	58	9	10 $\begin{smallmatrix} +0.300 \\ 0.000 \end{smallmatrix}$	45 $\begin{smallmatrix} -0.025 \\ -0.064 \end{smallmatrix}$	58 $\begin{smallmatrix} +0.120 \\ 0.000 \end{smallmatrix}$
MRU-45X60X9	45	60	9	10 $\begin{smallmatrix} +0.300 \\ 0.000 \end{smallmatrix}$	45 $\begin{smallmatrix} -0.025 \\ -0.064 \end{smallmatrix}$	60 $\begin{smallmatrix} +0.120 \\ 0.000 \end{smallmatrix}$
MRU-45X60X10-E	45	60	10	11 $\begin{smallmatrix} +0.300 \\ 0.000 \end{smallmatrix}$	45 $\begin{smallmatrix} -0.025 \\ -0.064 \end{smallmatrix}$	60 $\begin{smallmatrix} +0.120 \\ 0.000 \end{smallmatrix}$
MRU-45X60X11.5-E	45	60	11.5	12.5 $\begin{smallmatrix} +0.300 \\ 0.000 \end{smallmatrix}$	45 $\begin{smallmatrix} -0.025 \\ -0.064 \end{smallmatrix}$	60 $\begin{smallmatrix} +0.120 \\ 0.000 \end{smallmatrix}$
MRU-45X65X12	45	65	12	13 $\begin{smallmatrix} +0.300 \\ 0.000 \end{smallmatrix}$	45 $\begin{smallmatrix} -0.025 \\ -0.064 \end{smallmatrix}$	65 $\begin{smallmatrix} +0.120 \\ 0.000 \end{smallmatrix}$
MRU-50X58X8.2	50	58	8.2	9 $\begin{smallmatrix} +0.300 \\ 0.000 \end{smallmatrix}$	50 $\begin{smallmatrix} -0.025 \\ -0.064 \end{smallmatrix}$	58 $\begin{smallmatrix} +0.120 \\ 0.000 \end{smallmatrix}$
MRU-50X60X7.3	50	60	7.3	8 $\begin{smallmatrix} +0.300 \\ 0.000 \end{smallmatrix}$	50 $\begin{smallmatrix} -0.025 \\ -0.064 \end{smallmatrix}$	60 $\begin{smallmatrix} +0.120 \\ 0.000 \end{smallmatrix}$
MRU-50X60X10-E	50	60	10	11 $\begin{smallmatrix} +0.300 \\ 0.000 \end{smallmatrix}$	50 $\begin{smallmatrix} -0.025 \\ -0.064 \end{smallmatrix}$	60 $\begin{smallmatrix} +0.120 \\ 0.000 \end{smallmatrix}$
MRU-50X60X12-E	50	60	12	13 $\begin{smallmatrix} +0.300 \\ 0.000 \end{smallmatrix}$	50 $\begin{smallmatrix} -0.025 \\ -0.064 \end{smallmatrix}$	60 $\begin{smallmatrix} +0.120 \\ 0.000 \end{smallmatrix}$
MRU-50X63X8	50	63	8	9 $\begin{smallmatrix} +0.300 \\ 0.000 \end{smallmatrix}$	50 $\begin{smallmatrix} -0.025 \\ -0.064 \end{smallmatrix}$	63 $\begin{smallmatrix} +0.120 \\ 0.000 \end{smallmatrix}$
MRU-50X63X10	50	63	10	11 $\begin{smallmatrix} +0.300 \\ 0.000 \end{smallmatrix}$	50 $\begin{smallmatrix} -0.025 \\ -0.064 \end{smallmatrix}$	63 $\begin{smallmatrix} +0.120 \\ 0.000 \end{smallmatrix}$
MRU-50X65X9	50	65	9	10 $\begin{smallmatrix} +0.300 \\ 0.000 \end{smallmatrix}$	50 $\begin{smallmatrix} -0.025 \\ -0.064 \end{smallmatrix}$	65 $\begin{smallmatrix} +0.120 \\ 0.000 \end{smallmatrix}$
MRU-50X65X10	50	65	10	11 $\begin{smallmatrix} +0.300 \\ 0.000 \end{smallmatrix}$	50 $\begin{smallmatrix} -0.025 \\ -0.064 \end{smallmatrix}$	65 $\begin{smallmatrix} +0.120 \\ 0.000 \end{smallmatrix}$

SELLOS TIPO U PARA VÁSTAGOS ESTILO MRU

SELLOS "U" PARA VÁSTAGO

N° de Parte	A Nom. DI	B Nom. DE	C Nom. A	D Ancho de la Ranura	E Diámetro del Vástago	G Housing Diámetro
MRU-50X65X11.5-E	50	65	11.5	12.5 $\begin{smallmatrix} +0.300 \\ 0.000 \end{smallmatrix}$	50 $\begin{smallmatrix} -0.025 \\ -0.064 \end{smallmatrix}$	65 $\begin{smallmatrix} +0.120 \\ 0.000 \end{smallmatrix}$
MRU-50X65X15.5-E	50	65	15.5	17 $\begin{smallmatrix} +0.300 \\ 0.000 \end{smallmatrix}$	50 $\begin{smallmatrix} -0.025 \\ -0.064 \end{smallmatrix}$	65 $\begin{smallmatrix} +0.120 \\ 0.000 \end{smallmatrix}$
MRU-50X66X12	50	66	12	13 $\begin{smallmatrix} +0.300 \\ 0.000 \end{smallmatrix}$	50 $\begin{smallmatrix} -0.025 \\ -0.064 \end{smallmatrix}$	66 $\begin{smallmatrix} +0.120 \\ 0.000 \end{smallmatrix}$
MRU-50X70X12	50	70	12	13 $\begin{smallmatrix} +0.300 \\ 0.000 \end{smallmatrix}$	50 $\begin{smallmatrix} -0.025 \\ -0.064 \end{smallmatrix}$	70 $\begin{smallmatrix} +0.120 \\ 0.000 \end{smallmatrix}$
MRU-55X65X7.2-E	55	65	7.2	8 $\begin{smallmatrix} +0.300 \\ 0.000 \end{smallmatrix}$	55 $\begin{smallmatrix} -0.030 \\ -0.076 \end{smallmatrix}$	65 $\begin{smallmatrix} +0.120 \\ 0.000 \end{smallmatrix}$
MRU-55X68X10	55	68	10	11 $\begin{smallmatrix} +0.300 \\ 0.000 \end{smallmatrix}$	55 $\begin{smallmatrix} -0.030 \\ -0.076 \end{smallmatrix}$	68 $\begin{smallmatrix} +0.120 \\ 0.000 \end{smallmatrix}$
MRU-55X70X9	55	70	9	10 $\begin{smallmatrix} +0.300 \\ 0.000 \end{smallmatrix}$	55 $\begin{smallmatrix} -0.030 \\ -0.076 \end{smallmatrix}$	70 $\begin{smallmatrix} +0.120 \\ 0.000 \end{smallmatrix}$
MRU-55X70X10-E	55	70	10	11 $\begin{smallmatrix} +0.300 \\ 0.000 \end{smallmatrix}$	55 $\begin{smallmatrix} -0.030 \\ -0.076 \end{smallmatrix}$	70 $\begin{smallmatrix} +0.120 \\ 0.000 \end{smallmatrix}$
MRU-55X71X12	55	71	12	13 $\begin{smallmatrix} +0.300 \\ 0.000 \end{smallmatrix}$	55 $\begin{smallmatrix} -0.030 \\ -0.076 \end{smallmatrix}$	71 $\begin{smallmatrix} +0.120 \\ 0.000 \end{smallmatrix}$
MRU-55X75X12	55	75	12	13 $\begin{smallmatrix} +0.300 \\ 0.000 \end{smallmatrix}$	55 $\begin{smallmatrix} -0.030 \\ -0.076 \end{smallmatrix}$	75 $\begin{smallmatrix} +0.120 \\ 0.000 \end{smallmatrix}$
MRU-56X66X7.3	56	66	7.3	8 $\begin{smallmatrix} +0.300 \\ 0.000 \end{smallmatrix}$	56 $\begin{smallmatrix} -0.030 \\ -0.076 \end{smallmatrix}$	66 $\begin{smallmatrix} +0.120 \\ 0.000 \end{smallmatrix}$
MRU-56X66X10-E	56	66	10	11 $\begin{smallmatrix} +0.300 \\ 0.000 \end{smallmatrix}$	56 $\begin{smallmatrix} -0.030 \\ -0.076 \end{smallmatrix}$	66 $\begin{smallmatrix} +0.120 \\ 0.000 \end{smallmatrix}$
MRU-56X71X9	56	71	9	10 $\begin{smallmatrix} +0.300 \\ 0.000 \end{smallmatrix}$	56 $\begin{smallmatrix} -0.030 \\ -0.076 \end{smallmatrix}$	71 $\begin{smallmatrix} +0.120 \\ 0.000 \end{smallmatrix}$
MRU-56X71X10-E	56	71	10	11 $\begin{smallmatrix} +0.300 \\ 0.000 \end{smallmatrix}$	56 $\begin{smallmatrix} -0.030 \\ -0.076 \end{smallmatrix}$	71 $\begin{smallmatrix} +0.120 \\ 0.000 \end{smallmatrix}$
MRU-60X70X7.3	60	70	7.3	8 $\begin{smallmatrix} +0.300 \\ 0.000 \end{smallmatrix}$	60 $\begin{smallmatrix} -0.030 \\ -0.076 \end{smallmatrix}$	70 $\begin{smallmatrix} +0.120 \\ 0.000 \end{smallmatrix}$
MRU-60X72X9-E	60	72	9	10 $\begin{smallmatrix} +0.300 \\ 0.000 \end{smallmatrix}$	60 $\begin{smallmatrix} -0.030 \\ -0.076 \end{smallmatrix}$	72 $\begin{smallmatrix} +0.120 \\ 0.000 \end{smallmatrix}$
MRU-60X73X10	60	73	10	11 $\begin{smallmatrix} +0.300 \\ 0.000 \end{smallmatrix}$	60 $\begin{smallmatrix} -0.030 \\ -0.076 \end{smallmatrix}$	73 $\begin{smallmatrix} +0.120 \\ 0.000 \end{smallmatrix}$
MRU-60X75X9	60	75	9	10 $\begin{smallmatrix} +0.300 \\ 0.000 \end{smallmatrix}$	60 $\begin{smallmatrix} -0.030 \\ -0.076 \end{smallmatrix}$	75 $\begin{smallmatrix} +0.120 \\ 0.000 \end{smallmatrix}$
MRU-60X76X10	60	76	10	11 $\begin{smallmatrix} +0.300 \\ 0.000 \end{smallmatrix}$	60 $\begin{smallmatrix} -0.030 \\ -0.076 \end{smallmatrix}$	76 $\begin{smallmatrix} +0.120 \\ 0.000 \end{smallmatrix}$
MRU-60X80X12	60	80	12	13 $\begin{smallmatrix} +0.300 \\ 0.000 \end{smallmatrix}$	60 $\begin{smallmatrix} -0.030 \\ -0.076 \end{smallmatrix}$	80 $\begin{smallmatrix} +0.120 \\ 0.000 \end{smallmatrix}$
MRU-63X73X12-E	63	73	12	13 $\begin{smallmatrix} +0.300 \\ 0.000 \end{smallmatrix}$	63 $\begin{smallmatrix} -0.030 \\ -0.076 \end{smallmatrix}$	73 $\begin{smallmatrix} +0.120 \\ 0.000 \end{smallmatrix}$
MRU-63X78X10-E	63	78	10	11 $\begin{smallmatrix} +0.300 \\ 0.000 \end{smallmatrix}$	63 $\begin{smallmatrix} -0.030 \\ -0.076 \end{smallmatrix}$	78 $\begin{smallmatrix} +0.120 \\ 0.000 \end{smallmatrix}$
MRU-63X79X11.5-GT	63	79	11.5	12.5 $\begin{smallmatrix} +0.300 \\ 0.000 \end{smallmatrix}$	63 $\begin{smallmatrix} -0.030 \\ -0.076 \end{smallmatrix}$	79 $\begin{smallmatrix} +0.120 \\ 0.000 \end{smallmatrix}$
MRU-63X83X12	63	83	12	13 $\begin{smallmatrix} +0.300 \\ 0.000 \end{smallmatrix}$	63 $\begin{smallmatrix} -0.030 \\ -0.076 \end{smallmatrix}$	83 $\begin{smallmatrix} +0.140 \\ 0.000 \end{smallmatrix}$
MRU-65X75X6	65	75	6	6.5 $\begin{smallmatrix} +0.300 \\ 0.000 \end{smallmatrix}$	65 $\begin{smallmatrix} -0.030 \\ -0.076 \end{smallmatrix}$	75 $\begin{smallmatrix} +0.120 \\ 0.000 \end{smallmatrix}$
MRU-65X78X10	65	78	10	11 $\begin{smallmatrix} +0.300 \\ 0.000 \end{smallmatrix}$	65 $\begin{smallmatrix} -0.030 \\ -0.076 \end{smallmatrix}$	78 $\begin{smallmatrix} +0.120 \\ 0.000 \end{smallmatrix}$
MRU-65X80X9	65	80	9	10 $\begin{smallmatrix} +0.300 \\ 0.000 \end{smallmatrix}$	65 $\begin{smallmatrix} -0.030 \\ -0.076 \end{smallmatrix}$	80 $\begin{smallmatrix} +0.120 \\ 0.000 \end{smallmatrix}$
MRU-65X80X10-E	65	80	10	11 $\begin{smallmatrix} +0.300 \\ 0.000 \end{smallmatrix}$	65 $\begin{smallmatrix} -0.030 \\ -0.076 \end{smallmatrix}$	80 $\begin{smallmatrix} +0.120 \\ 0.000 \end{smallmatrix}$
MRU-65X85X12	65	85	12	13 $\begin{smallmatrix} +0.300 \\ 0.000 \end{smallmatrix}$	65 $\begin{smallmatrix} -0.030 \\ -0.076 \end{smallmatrix}$	85 $\begin{smallmatrix} +0.140 \\ 0.000 \end{smallmatrix}$

SELLOS TIPO U PARA VÁSTAGOS ESTILO MRU



SELLOS "U" PARA VÁSTAGO

N° de Parte	A Nom. DI	B Nom. DE	C Nom. A	D Ancho de la Ranura	E Diámetro del Vástago	G Housing Diámetro
MRU-70X80X7-E	70	80	7	8 $\begin{matrix} +0.300 \\ 0.000 \end{matrix}$	70 $\begin{matrix} -0.030 \\ -0.076 \end{matrix}$	80 $\begin{matrix} +0.120 \\ 0.000 \end{matrix}$
MRU-70X83X10	70	83	10	11 $\begin{matrix} +0.300 \\ 0.000 \end{matrix}$	70 $\begin{matrix} -0.030 \\ -0.076 \end{matrix}$	83 $\begin{matrix} +0.140 \\ 0.000 \end{matrix}$
MRU-70X85X9	70	85	9	10 $\begin{matrix} +0.300 \\ 0.000 \end{matrix}$	70 $\begin{matrix} -0.030 \\ -0.076 \end{matrix}$	85 $\begin{matrix} +0.140 \\ 0.000 \end{matrix}$
MRU-70X85X10-E	70	85	10	11 $\begin{matrix} +0.300 \\ 0.000 \end{matrix}$	70 $\begin{matrix} -0.030 \\ -0.076 \end{matrix}$	85 $\begin{matrix} +0.140 \\ 0.000 \end{matrix}$
MRU-70X85X12-E	70	85	12	13 $\begin{matrix} +0.300 \\ 0.000 \end{matrix}$	70 $\begin{matrix} -0.030 \\ -0.076 \end{matrix}$	85 $\begin{matrix} +0.140 \\ 0.000 \end{matrix}$
MRU-70X90X12	70	90	12	13 $\begin{matrix} +0.300 \\ 0.000 \end{matrix}$	70 $\begin{matrix} -0.030 \\ -0.076 \end{matrix}$	90 $\begin{matrix} +0.140 \\ 0.000 \end{matrix}$
MRU-75X85X6.3	75	85	6.3	7 $\begin{matrix} +0.300 \\ 0.000 \end{matrix}$	75 $\begin{matrix} -0.030 \\ -0.076 \end{matrix}$	85 $\begin{matrix} +0.140 \\ 0.000 \end{matrix}$
MRU-75X85X7-E	75	85	7	8 $\begin{matrix} +0.300 \\ 0.000 \end{matrix}$	75 $\begin{matrix} -0.030 \\ -0.076 \end{matrix}$	85 $\begin{matrix} +0.140 \\ 0.000 \end{matrix}$
MRU-75X85X12-E	75	85	12	13 $\begin{matrix} +0.300 \\ 0.000 \end{matrix}$	75 $\begin{matrix} -0.030 \\ -0.076 \end{matrix}$	85 $\begin{matrix} +0.140 \\ 0.000 \end{matrix}$
MRU-75X88X10	75	88	10	11 $\begin{matrix} +0.300 \\ 0.000 \end{matrix}$	75 $\begin{matrix} -0.030 \\ -0.076 \end{matrix}$	88 $\begin{matrix} +0.140 \\ 0.000 \end{matrix}$
MRU-75X90X9	75	90	9	10 $\begin{matrix} +0.300 \\ 0.000 \end{matrix}$	75 $\begin{matrix} -0.030 \\ -0.076 \end{matrix}$	90 $\begin{matrix} +0.140 \\ 0.000 \end{matrix}$
MRU-75X90X10-E	75	90	10	11 $\begin{matrix} +0.300 \\ 0.000 \end{matrix}$	75 $\begin{matrix} -0.030 \\ -0.076 \end{matrix}$	90 $\begin{matrix} +0.140 \\ 0.000 \end{matrix}$
MRU-75X90X11.4	75	90	11.4	12.5 $\begin{matrix} +0.300 \\ 0.000 \end{matrix}$	75 $\begin{matrix} -0.030 \\ -0.076 \end{matrix}$	90 $\begin{matrix} +0.140 \\ 0.000 \end{matrix}$
MRU-75X95X12	75	95	12	13 $\begin{matrix} +0.300 \\ 0.000 \end{matrix}$	75 $\begin{matrix} -0.030 \\ -0.076 \end{matrix}$	95 $\begin{matrix} +0.140 \\ 0.000 \end{matrix}$
MRU-80X93X10	80	93	10	11 $\begin{matrix} +0.300 \\ 0.000 \end{matrix}$	80 $\begin{matrix} -0.030 \\ -0.076 \end{matrix}$	93 $\begin{matrix} +0.140 \\ 0.000 \end{matrix}$
MRU-80X95X9	80	95	9	10 $\begin{matrix} +0.300 \\ 0.000 \end{matrix}$	80 $\begin{matrix} -0.030 \\ -0.076 \end{matrix}$	95 $\begin{matrix} +0.140 \\ 0.000 \end{matrix}$
MRU-80X95X10	80	95	10	11 $\begin{matrix} +0.300 \\ 0.000 \end{matrix}$	80 $\begin{matrix} -0.030 \\ -0.076 \end{matrix}$	95 $\begin{matrix} +0.140 \\ 0.000 \end{matrix}$
MRU-80X95X11.5-E	80	95	11.5	12.5 $\begin{matrix} +0.300 \\ 0.000 \end{matrix}$	80 $\begin{matrix} -0.030 \\ -0.076 \end{matrix}$	95 $\begin{matrix} +0.140 \\ 0.000 \end{matrix}$
MRU-80X100X12	80	100	12	13 $\begin{matrix} +0.300 \\ 0.000 \end{matrix}$	80 $\begin{matrix} -0.030 \\ -0.076 \end{matrix}$	100 $\begin{matrix} +0.140 \\ 0.000 \end{matrix}$
MRU-85X100X9	85	100	9	10 $\begin{matrix} +0.300 \\ 0.000 \end{matrix}$	85 $\begin{matrix} -0.036 \\ -0.090 \end{matrix}$	100 $\begin{matrix} +0.140 \\ 0.000 \end{matrix}$
MRU-85X100X10	85	100	10	11 $\begin{matrix} +0.300 \\ 0.000 \end{matrix}$	85 $\begin{matrix} -0.036 \\ -0.090 \end{matrix}$	100 $\begin{matrix} +0.140 \\ 0.000 \end{matrix}$
MRU-85X100X11.4	85	100	11.4	12.5 $\begin{matrix} +0.300 \\ 0.000 \end{matrix}$	85 $\begin{matrix} -0.036 \\ -0.090 \end{matrix}$	100 $\begin{matrix} +0.140 \\ 0.000 \end{matrix}$
MRU-85X105X12	85	105	12	13 $\begin{matrix} +0.300 \\ 0.000 \end{matrix}$	85 $\begin{matrix} -0.036 \\ -0.090 \end{matrix}$	105 $\begin{matrix} +0.140 \\ 0.000 \end{matrix}$
MRU-90X105X9	90	105	9	10 $\begin{matrix} +0.300 \\ 0.000 \end{matrix}$	90 $\begin{matrix} -0.036 \\ -0.090 \end{matrix}$	105 $\begin{matrix} +0.140 \\ 0.000 \end{matrix}$
MRU-90X105X10	90	105	10	11 $\begin{matrix} +0.300 \\ 0.000 \end{matrix}$	90 $\begin{matrix} -0.036 \\ -0.090 \end{matrix}$	105 $\begin{matrix} +0.140 \\ 0.000 \end{matrix}$
MRU-90X105X11.5-E	90	105	11.5	12.5 $\begin{matrix} +0.300 \\ 0.000 \end{matrix}$	90 $\begin{matrix} -0.036 \\ -0.090 \end{matrix}$	105 $\begin{matrix} +0.140 \\ 0.000 \end{matrix}$
MRU-90X110X12	90	110	12	13 $\begin{matrix} +0.300 \\ 0.000 \end{matrix}$	90 $\begin{matrix} -0.036 \\ -0.090 \end{matrix}$	110 $\begin{matrix} +0.140 \\ 0.000 \end{matrix}$
MRU-90X110X15-E	90	110	15	16.5 $\begin{matrix} +0.300 \\ 0.000 \end{matrix}$	90 $\begin{matrix} -0.036 \\ -0.090 \end{matrix}$	110 $\begin{matrix} +0.140 \\ 0.000 \end{matrix}$
MRU-95X110X9	95	110	9	10 $\begin{matrix} +0.300 \\ 0.000 \end{matrix}$	95 $\begin{matrix} -0.036 \\ -0.090 \end{matrix}$	110 $\begin{matrix} +0.140 \\ 0.000 \end{matrix}$

SELLOS TIPO U PARA VÁSTAGOS ESTILO MRU

SELLOS "U" PARA VÁSTAGO

N° de Parte	A Nom. DI	B Nom. DE	C Nom. A	D Ancho de la Ranura	E Diámetro del Vástago	G Housing Diámetro
MRU-95X110X10	95	110	10	11 $\begin{matrix} +0.300 \\ 0.000 \end{matrix}$	95 $\begin{matrix} -0.036 \\ -0.090 \end{matrix}$	110 $\begin{matrix} +0.140 \\ 0.000 \end{matrix}$
MRU-95X115X12	95	115	12	13 $\begin{matrix} +0.300 \\ 0.000 \end{matrix}$	95 $\begin{matrix} -0.036 \\ -0.090 \end{matrix}$	115 $\begin{matrix} +0.140 \\ 0.000 \end{matrix}$
MRU-100X113X12.5-E	100	113	12.5	14 $\begin{matrix} +0.300 \\ 0.000 \end{matrix}$	100 $\begin{matrix} -0.036 \\ -0.090 \end{matrix}$	113 $\begin{matrix} +0.140 \\ 0.000 \end{matrix}$
MRU-100X115X10	100	115	10	11 $\begin{matrix} +0.300 \\ 0.000 \end{matrix}$	100 $\begin{matrix} -0.036 \\ -0.090 \end{matrix}$	115 $\begin{matrix} +0.140 \\ 0.000 \end{matrix}$
MRU-100X115X12-E	100	115	12	13 $\begin{matrix} +0.300 \\ 0.000 \end{matrix}$	100 $\begin{matrix} -0.036 \\ -0.090 \end{matrix}$	115 $\begin{matrix} +0.140 \\ 0.000 \end{matrix}$
MRU-100X120X12	100	120	12	13 $\begin{matrix} +0.300 \\ 0.000 \end{matrix}$	100 $\begin{matrix} -0.036 \\ -0.090 \end{matrix}$	120 $\begin{matrix} +0.140 \\ 0.000 \end{matrix}$
MRU-100X120X15-E	100	120	15	16.5 $\begin{matrix} +0.300 \\ 0.000 \end{matrix}$	100 $\begin{matrix} -0.036 \\ -0.090 \end{matrix}$	120 $\begin{matrix} +0.140 \\ 0.000 \end{matrix}$
MRU-105X120X9	105	120	9	10 $\begin{matrix} +0.300 \\ 0.000 \end{matrix}$	105 $\begin{matrix} -0.036 \\ -0.090 \end{matrix}$	120 $\begin{matrix} +0.140 \\ 0.000 \end{matrix}$
MRU-105X120X10	105	120	10	11 $\begin{matrix} +0.300 \\ 0.000 \end{matrix}$	105 $\begin{matrix} -0.036 \\ -0.090 \end{matrix}$	120 $\begin{matrix} +0.140 \\ 0.000 \end{matrix}$
MRU-105X125X12	105	125	12	13 $\begin{matrix} +0.300 \\ 0.000 \end{matrix}$	105 $\begin{matrix} -0.036 \\ -0.090 \end{matrix}$	125 $\begin{matrix} +0.160 \\ 0.000 \end{matrix}$
MRU-105X125X15	105	125	15	16.5 $\begin{matrix} +0.300 \\ 0.000 \end{matrix}$	105 $\begin{matrix} -0.036 \\ -0.090 \end{matrix}$	125 $\begin{matrix} +0.160 \\ 0.000 \end{matrix}$
MRU-110X125X9	110	125	9	10 $\begin{matrix} +0.300 \\ 0.000 \end{matrix}$	110 $\begin{matrix} -0.036 \\ -0.090 \end{matrix}$	125 $\begin{matrix} +0.160 \\ 0.000 \end{matrix}$
MRU-110X125X10	110	125	10	11 $\begin{matrix} +0.300 \\ 0.000 \end{matrix}$	110 $\begin{matrix} -0.036 \\ -0.090 \end{matrix}$	125 $\begin{matrix} +0.160 \\ 0.000 \end{matrix}$
MRU-110X130X10	110	130	10	11 $\begin{matrix} +0.300 \\ 0.000 \end{matrix}$	110 $\begin{matrix} -0.036 \\ -0.090 \end{matrix}$	130 $\begin{matrix} +0.160 \\ 0.000 \end{matrix}$
MRU-110X130X12	110	130	12	13 $\begin{matrix} +0.300 \\ 0.000 \end{matrix}$	110 $\begin{matrix} -0.036 \\ -0.090 \end{matrix}$	130 $\begin{matrix} +0.160 \\ 0.000 \end{matrix}$
MRU-110X130X13	110	130	13	14.5 $\begin{matrix} +0.300 \\ 0.000 \end{matrix}$	110 $\begin{matrix} -0.036 \\ -0.090 \end{matrix}$	130 $\begin{matrix} +0.160 \\ 0.000 \end{matrix}$
MRU-110X130X15	110	130	15	16.5 $\begin{matrix} +0.300 \\ 0.000 \end{matrix}$	110 $\begin{matrix} -0.036 \\ -0.090 \end{matrix}$	130 $\begin{matrix} +0.160 \\ 0.000 \end{matrix}$
MRU-112X127X10	112	127	10	11 $\begin{matrix} +0.300 \\ 0.000 \end{matrix}$	112 $\begin{matrix} -0.036 \\ -0.090 \end{matrix}$	127 $\begin{matrix} +0.160 \\ 0.000 \end{matrix}$
MRU-115X130X9	115	130	9	10 $\begin{matrix} +0.300 \\ 0.000 \end{matrix}$	115 $\begin{matrix} -0.036 \\ -0.090 \end{matrix}$	130 $\begin{matrix} +0.160 \\ 0.000 \end{matrix}$
MRU-115X130X10	115	130	10	11 $\begin{matrix} +0.300 \\ 0.000 \end{matrix}$	115 $\begin{matrix} -0.036 \\ -0.090 \end{matrix}$	130 $\begin{matrix} +0.160 \\ 0.000 \end{matrix}$
MRU-115X135X12	115	135	12	13 $\begin{matrix} +0.300 \\ 0.000 \end{matrix}$	115 $\begin{matrix} -0.036 \\ -0.090 \end{matrix}$	135 $\begin{matrix} +0.160 \\ 0.000 \end{matrix}$
MRU-118X133X9	118	133	9	10 $\begin{matrix} +0.300 \\ +0.000 \end{matrix}$	118 $\begin{matrix} -0.036 \\ -0.090 \end{matrix}$	133 $\begin{matrix} +0.160 \\ +0.000 \end{matrix}$
MRU-120X135X9	120	135	9	10 $\begin{matrix} +0.300 \\ 0.000 \end{matrix}$	120 $\begin{matrix} -0.036 \\ -0.090 \end{matrix}$	135 $\begin{matrix} +0.160 \\ 0.000 \end{matrix}$
MRU-120X140X10	120	140	10	11 $\begin{matrix} +0.300 \\ 0.000 \end{matrix}$	120 $\begin{matrix} -0.036 \\ -0.090 \end{matrix}$	140 $\begin{matrix} +0.160 \\ 0.000 \end{matrix}$
MRU-120X140X12	120	140	12	13 $\begin{matrix} +0.300 \\ 0.000 \end{matrix}$	120 $\begin{matrix} -0.036 \\ -0.090 \end{matrix}$	140 $\begin{matrix} +0.160 \\ 0.000 \end{matrix}$
MRU-120X140X13	120	140	13	14.5 $\begin{matrix} +0.300 \\ 0.000 \end{matrix}$	120 $\begin{matrix} -0.036 \\ -0.090 \end{matrix}$	140 $\begin{matrix} +0.160 \\ 0.000 \end{matrix}$
MRU-120X140X15	120	140	15	16.5 $\begin{matrix} +0.300 \\ 0.000 \end{matrix}$	120 $\begin{matrix} -0.036 \\ -0.090 \end{matrix}$	140 $\begin{matrix} +0.160 \\ 0.000 \end{matrix}$
MRU-125X145X12	125	145	12	13 $\begin{matrix} +0.300 \\ 0.000 \end{matrix}$	125 $\begin{matrix} -0.043 \\ -0.106 \end{matrix}$	145 $\begin{matrix} +0.160 \\ 0.000 \end{matrix}$
MRU-130X145X9	130	145	9	10 $\begin{matrix} +0.300 \\ 0.000 \end{matrix}$	130 $\begin{matrix} -0.043 \\ -0.106 \end{matrix}$	145 $\begin{matrix} +0.160 \\ 0.000 \end{matrix}$

SELLOS TIPO U PARA VÁSTAGOS ESTILO MRU



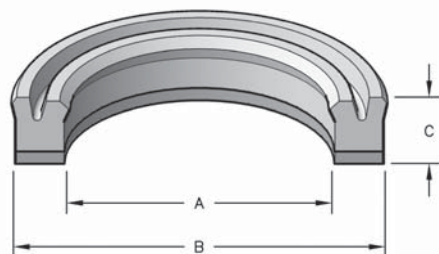
N° de Parte	A Nom. DI	B Nom. DE	C Nom. A	D Ancho de la Ranura	E Diámetro del Vástago	G Housing Diámetro
MRU-130X150X12	130	150	12	13 $\begin{smallmatrix} +0.300 \\ 0.000 \end{smallmatrix}$	130 $\begin{smallmatrix} -0.043 \\ -0.106 \end{smallmatrix}$	150 $\begin{smallmatrix} +0.160 \\ 0.000 \end{smallmatrix}$
MRU-130X150X13	130	150	13	14.5 $\begin{smallmatrix} +0.300 \\ 0.000 \end{smallmatrix}$	130 $\begin{smallmatrix} -0.043 \\ -0.106 \end{smallmatrix}$	150 $\begin{smallmatrix} +0.160 \\ 0.000 \end{smallmatrix}$
MRU-130X150X16	130	150	16	17 $\begin{smallmatrix} +0.300 \\ 0.000 \end{smallmatrix}$	130 $\begin{smallmatrix} -0.043 \\ -0.106 \end{smallmatrix}$	150 $\begin{smallmatrix} +0.160 \\ 0.000 \end{smallmatrix}$
MRU-140X155X9	140	155	9	10 $\begin{smallmatrix} +0.300 \\ 0.000 \end{smallmatrix}$	140 $\begin{smallmatrix} -0.043 \\ -0.106 \end{smallmatrix}$	155 $\begin{smallmatrix} +0.160 \\ 0.000 \end{smallmatrix}$
MRU-140X160X12	140	160	12	13 $\begin{smallmatrix} +0.300 \\ 0.000 \end{smallmatrix}$	140 $\begin{smallmatrix} -0.043 \\ -0.106 \end{smallmatrix}$	160 $\begin{smallmatrix} +0.160 \\ 0.000 \end{smallmatrix}$
MRU-150X170X12	150	170	12	13 $\begin{smallmatrix} +0.300 \\ 0.000 \end{smallmatrix}$	150 $\begin{smallmatrix} -0.043 \\ -0.106 \end{smallmatrix}$	170 $\begin{smallmatrix} +0.160 \\ 0.000 \end{smallmatrix}$
MRU-150X170X16	150	170	16	17 $\begin{smallmatrix} +0.300 \\ 0.000 \end{smallmatrix}$	150 $\begin{smallmatrix} -0.043 \\ -0.106 \end{smallmatrix}$	170 $\begin{smallmatrix} +0.160 \\ 0.000 \end{smallmatrix}$
MRU-155X175X9	155	175	9	10 $\begin{smallmatrix} +0.300 \\ +0.000 \end{smallmatrix}$	155 $\begin{smallmatrix} -0.043 \\ -0.106 \end{smallmatrix}$	175 $\begin{smallmatrix} +0.160 \\ +0.000 \end{smallmatrix}$
MRU-160X180X12	160	180	12	13 $\begin{smallmatrix} +0.300 \\ 0.000 \end{smallmatrix}$	160 $\begin{smallmatrix} -0.043 \\ -0.106 \end{smallmatrix}$	180 $\begin{smallmatrix} +0.160 \\ 0.000 \end{smallmatrix}$
MRU-160X180X15	160	180	15	16 $\begin{smallmatrix} +0.300 \\ 0.000 \end{smallmatrix}$	160 $\begin{smallmatrix} -0.043 \\ -0.106 \end{smallmatrix}$	180 $\begin{smallmatrix} +0.160 \\ 0.000 \end{smallmatrix}$
MRU-160X185X16	160	185	16	17 $\begin{smallmatrix} +0.300 \\ 0.000 \end{smallmatrix}$	160 $\begin{smallmatrix} -0.043 \\ -0.106 \end{smallmatrix}$	185 $\begin{smallmatrix} +0.185 \\ 0.000 \end{smallmatrix}$
MRU-170X190X12-E	170	190	12	13 $\begin{smallmatrix} +0.300 \\ 0.000 \end{smallmatrix}$	170 $\begin{smallmatrix} -0.043 \\ -0.106 \end{smallmatrix}$	190 $\begin{smallmatrix} +0.185 \\ 0.000 \end{smallmatrix}$
MRU-170X195X16	170	195	16	17 $\begin{smallmatrix} +0.300 \\ 0.000 \end{smallmatrix}$	170 $\begin{smallmatrix} -0.043 \\ -0.106 \end{smallmatrix}$	195 $\begin{smallmatrix} +0.185 \\ 0.000 \end{smallmatrix}$
MRU-180X205X16	180	205	16	17 $\begin{smallmatrix} +0.300 \\ 0.000 \end{smallmatrix}$	180 $\begin{smallmatrix} -0.043 \\ -0.106 \end{smallmatrix}$	205 $\begin{smallmatrix} +0.185 \\ 0.000 \end{smallmatrix}$
MRU-200X225X16	200	225	16	17 $\begin{smallmatrix} +0.300 \\ 0.000 \end{smallmatrix}$	200 $\begin{smallmatrix} -0.050 \\ -0.122 \end{smallmatrix}$	225 $\begin{smallmatrix} +0.185 \\ 0.000 \end{smallmatrix}$

SELLOS "U" PARA VÁSTAGO

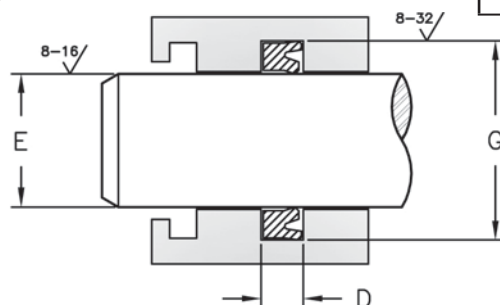
El color del sello puede variar. Medidas especiales están disponibles. Medidas no ofrecidas en el catálogo pueden también ser ordenadas para entrega al siguiente día a través de nuestro programa de sellos especiales. Por favor comunicarse con su representante de ventas para asistencia inmediata.

SELLOS EN U PARA VÁSTAGO CON ANILLOS DE RESPALDO, ESTILO MRUB

Este sello en U para vástagos está moldeado en uretano resistente y se ajusta en la ranura mientras ofrece mayor fuerza radial sobre el vástago. El uso de un respaldo de NILÓN lo hace altamente resistente a la extrusión. GT = SELLO DE TWEED VERDE



Tipo de Sello
Diámetro Interno
Diámetro Externo
Altura



INFORMACIÓN DEL SELLO

MATERIAL	SELLO DE URETANO RESPALDO DE NILÓN
RANGO DE TEMPERATURA	-40° a +93° C
RANGO DE PRESIÓN	0 a 5,500 PSI
VELOCIDAD	3 Pie/Seg

SELLOS "U" PARA VÁSTAGO

N° de Parte	A Nom. DI	B Nom. DE	C Nom. A	D Ancho de la Ranura	E Diámetro del Vástago	G Housing Diámetro
MRUB-50X63X13	50	63	13	14 +0.300 0.000	50 -0.025 -0.064	63 +0.120 0.000
MRUB-55X68X13	55	68	13	14 +0.300 0.000	55 -0.030 -0.076	68 +0.120 0.000
MRUB-60X73X13.2	60	73	13.2	14 +0.300 0.000	60 -0.030 -0.076	73 +0.120 0.000
MRUB-63X78X11.5-GT	63	78	11.5	12.5 +0.300 0.000	63 -0.030 -0.076	78 +0.120 0.000
MRUB-65X78X13.2	65	78	13.2	14 +0.300 0.000	65 -0.030 -0.076	78 +0.120 0.000
MRUB-65X80X12	65	80	12	13 +0.300 0.000	65 -0.030 -0.076	80 +0.120 0.000
MRUB-70X83X13.2	70	83	13.2	14 +0.300 0.000	70 -0.030 -0.076	83 +0.140 0.000
MRUB-70X86X11.5-GT	70	86	11.5	12.5 +0.300 0.000	70 -0.030 -0.076	86 +0.140 0.000
MRUB-75X88X13.2	75	88	13.2	14 +0.300 0.000	75 -0.030 -0.076	88 +0.140 0.000
MRUB-80X93X13.2	80	93	13.2	14 +0.300 0.000	80 -0.030 -0.076	93 +0.140 0.000
MRUB-85X100X13.2	85	100	13.2	14 +0.300 0.000	85 -0.036 -0.090	100 +0.140 0.000
MRUB-90X105X13.2	90	105	13.2	14 +0.300 0.000	90 -0.036 -0.090	105 +0.140 0.000
MRUB-95X110X13.2	95	110	13.2	14 +0.300 0.000	95 -0.036 -0.090	110 +0.140 0.000

SELLOS EN U PARA VÁSTAGO CON ANILLOS DE RESPALDO, ESTILO MRUB



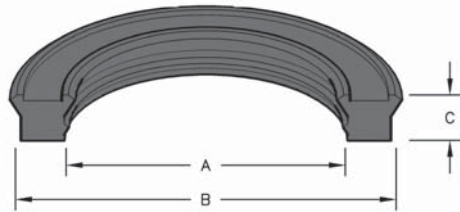
N° de Parte	A Nom. DI	B Nom. DE	C Nom. A	D Ancho de la Ranura	E Diámetro del Vástago	G Housing Diámetro
MRUB-100X115X13.2	100	115	13.2	14 $+0.300$ 0.000	100 -0.036 -0.090	115 $+0.140$ 0.000
MRUB-105X120X12	105	120	12	13 $+0.300$ 0.000	105 -0.036 -0.090	120 $+0.140$ 0.000
MRUB-110X130X13	110	130	13	14 $+0.300$ 0.000	110 -0.036 -0.090	130 $+0.160$ 0.000
MRUB-130X150X16	130	150	16	17 $+0.300$ 0.000	130 -0.043 -0.106	150 $+0.160$ 0.000
MRUB-140X160X15	140	160	15	16 $+0.300$ 0.000	140 -0.043 -0.106	160 $+0.160$ 0.000
MRUB-200X225X20	200	225	20	21 $+0.300$ 0.000	200 -0.050 -0.122	225 $+0.185$ 0.000

SELLOS "U" PARA VÁSTAGO

El color del sello puede variar. Medidas especiales estan disponibles. Medidas no ofrecidas en el catálogo pueden también ser ordenadas para entrega al siguiente día a través de nuestro programa de sellos especiales. Por favor comunicarse con su representante de ventas para asistencia inmediata.

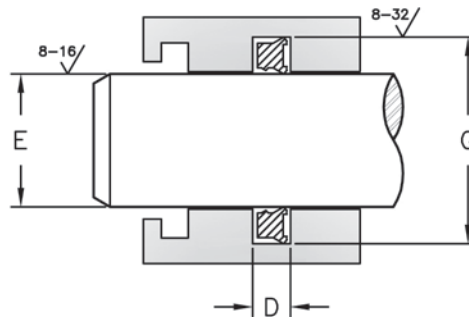
SELLOS TIPO U PARA VÁSTAGOS ESTILO MRTS

El diseño de labio corto y la cavidad en "U" sólida fueron diseñados específicamente para aplicaciones en vástagos y ofrecen una alta capacidad de sellado a baja presión. En la base, un labio secundario proporciona estabilidad, retención de lubricante para reducir la fricción y resistencia a la contaminación.



HERCULES N° DE PARTES

MRTS - 12 x 20 x 5.8
 Tipo de Sello | Diámetro Interno | Diámetro Externo | Altura



INFORMACIÓN DEL SELLO

MATERIAL	URETANO
RANGO DE TEMPERATURA	-30° a +104° C
RANGO DE PRESIÓN	0 a 5,000 PSI
VELOCIDAD	3 Pie/Seg

SELLOS "U" PARA VÁSTAGO

N° de Parte	A Nom. DI	B Nom. DE	C Nom. A	D Ancho de la Ranura	E Diámetro del Vástago	G Housing Diámetro
MRTS-12X20X5.8	12	20	5.8	6.3 ^{+0.200} / _{0.000}	12 ^{-0.016} / _{-0.043}	20 ^{±0.042}
MRTS-16X24X6	16	24	6	6.5 ^{+0.200} / _{0.000}	16 ^{-0.016} / _{-0.043}	24 ^{±0.042}
MRTS-18X25X5	18	25	5	5.5 ^{+0.200} / _{0.000}	18 ^{-0.016} / _{-0.043}	25 ^{±0.042}
MRTS-18X26X5.8	18	26	5.8	6.3 ^{+0.200} / _{0.000}	18 ^{-0.016} / _{-0.043}	26 ^{±0.042}
MRTS-20X28X6.5	20	28	6.5	7 ^{+0.200} / _{0.000}	20 ^{-0.020} / _{-0.053}	28 ^{±0.042}
MRTS-22X28X4.5	22	28	4.5	5 ^{+0.200} / _{0.000}	22 ^{-0.020} / _{-0.053}	28 ^{±0.042}
MRTS-22X30X5.8	22	30	5.8	6.3 ^{+0.200} / _{0.000}	22 ^{-0.020} / _{-0.053}	30 ^{±0.042}
MRTS-22X32X7	22	32	7	7.5 ^{+0.200} / _{0.000}	22 ^{-0.020} / _{-0.053}	32 ^{±0.050}
MRTS-25X33X5.8	25	33	5.8	6.3 ^{+0.200} / _{0.000}	25 ^{-0.020} / _{-0.053}	33 ^{±0.050}
MRTS-25X35X5.8	25	35	5.8	6.3 ^{+0.200} / _{0.000}	25 ^{-0.020} / _{-0.053}	35 ^{±0.050}
MRTS-25X35X7	25	35	7	7.5 ^{+0.200} / _{0.000}	25 ^{-0.020} / _{-0.053}	35 ^{±0.050}
MRTS-25X35X8	25	35	8	9 ^{+0.200} / _{0.000}	25 ^{-0.020} / _{-0.053}	35 ^{±0.050}

SELLOS TIPO U PARA VÁSTAGOS ESTILO MRTS



SELLOS "U" PARA VÁSTAGO

N° de Parte	A Nom. DI	B Nom. DE	C Nom. A	D Ancho de la Ranura	E Diámetro del Vástago	G Housing Diameter
MRTS-28X36X5.8	28	36	5.8	6.3 $\begin{smallmatrix} +0.200 \\ 0.000 \end{smallmatrix}$	28 $\begin{smallmatrix} -0.020 \\ -0.053 \end{smallmatrix}$	36 ± 0.050
MRTS-28X38X7	28	38	7	7.5 $\begin{smallmatrix} +0.200 \\ 0.000 \end{smallmatrix}$	28 $\begin{smallmatrix} -0.020 \\ -0.053 \end{smallmatrix}$	38 ± 0.050
MRTS-30X38X5.8	30	38	5.8	6.3 $\begin{smallmatrix} +0.200 \\ 0.000 \end{smallmatrix}$	30 $\begin{smallmatrix} -0.020 \\ -0.053 \end{smallmatrix}$	38 ± 0.050
MRTS-30X38X8	30	38	8	9 $\begin{smallmatrix} +0.200 \\ 0.000 \end{smallmatrix}$	30 $\begin{smallmatrix} -0.020 \\ -0.053 \end{smallmatrix}$	38 ± 0.050
MRTS-30X40X6.5	30	40	6.5	7 $\begin{smallmatrix} +0.200 \\ 0.000 \end{smallmatrix}$	30 $\begin{smallmatrix} -0.020 \\ -0.053 \end{smallmatrix}$	40 ± 0.050
MRTS-30X40X10	30	40	10	11 $\begin{smallmatrix} +0.200 \\ 0.000 \end{smallmatrix}$	30 $\begin{smallmatrix} -0.020 \\ -0.053 \end{smallmatrix}$	40 ± 0.050
MRTS-32X42X8	32	42	8	9 $\begin{smallmatrix} +0.200 \\ 0.000 \end{smallmatrix}$	32 $\begin{smallmatrix} -0.025 \\ -0.064 \end{smallmatrix}$	42 ± 0.050
MRTS-35X43X5.8	35	43	5.8	6.3 $\begin{smallmatrix} +0.200 \\ 0.000 \end{smallmatrix}$	35 $\begin{smallmatrix} -0.025 \\ -0.064 \end{smallmatrix}$	43 ± 0.050
MRTS-35X43X6	35	43	6	6.5 $\begin{smallmatrix} +0.200 \\ 0.000 \end{smallmatrix}$	35 $\begin{smallmatrix} -0.025 \\ -0.064 \end{smallmatrix}$	43 ± 0.050
MRTS-35X43X8	35	43	8	9 $\begin{smallmatrix} +0.200 \\ 0.000 \end{smallmatrix}$	35 $\begin{smallmatrix} -0.025 \\ -0.064 \end{smallmatrix}$	43 ± 0.050
MRTS-35X45X10	35	45	10	11 $\begin{smallmatrix} +0.200 \\ 0.000 \end{smallmatrix}$	35 $\begin{smallmatrix} -0.025 \\ -0.064 \end{smallmatrix}$	45 ± 0.050
MRTS-35X50X10	35	50	10	11 $\begin{smallmatrix} +0.200 \\ 0.000 \end{smallmatrix}$	35 $\begin{smallmatrix} -0.025 \\ -0.064 \end{smallmatrix}$	50 ± 0.050
MRTS-36X44X5.7	36	44	5.7	6.2 $\begin{smallmatrix} +0.200 \\ 0.000 \end{smallmatrix}$	36 $\begin{smallmatrix} -0.025 \\ -0.064 \end{smallmatrix}$	44 ± 0.050
MRTS-40X48X5.8	40	48	5.8	6.3 $\begin{smallmatrix} +0.200 \\ 0.000 \end{smallmatrix}$	40 $\begin{smallmatrix} -0.025 \\ -0.064 \end{smallmatrix}$	48 ± 0.050
MRTS-40X50X7	40	50	7	7.5 $\begin{smallmatrix} +0.200 \\ 0.000 \end{smallmatrix}$	40 $\begin{smallmatrix} -0.025 \\ -0.064 \end{smallmatrix}$	50 ± 0.050
MRTS-40X50X10	40	50	10	11 $\begin{smallmatrix} +0.200 \\ 0.000 \end{smallmatrix}$	40 $\begin{smallmatrix} -0.025 \\ -0.064 \end{smallmatrix}$	50 ± 0.050
MRTS-42X52X8	42	52	8	9 $\begin{smallmatrix} +0.200 \\ 0.000 \end{smallmatrix}$	42 $\begin{smallmatrix} -0.025 \\ -0.064 \end{smallmatrix}$	52 ± 0.060
MRTS-45X53X8	45	53	8	9 $\begin{smallmatrix} +0.200 \\ 0.000 \end{smallmatrix}$	45 $\begin{smallmatrix} -0.025 \\ -0.064 \end{smallmatrix}$	53 ± 0.060
MRTS-45X55X7	45	55	7	7.5 $\begin{smallmatrix} +0.200 \\ 0.000 \end{smallmatrix}$	45 $\begin{smallmatrix} -0.025 \\ -0.064 \end{smallmatrix}$	55 ± 0.060
MRTS-45X55X10	45	55	10	11 $\begin{smallmatrix} +0.200 \\ 0.000 \end{smallmatrix}$	45 $\begin{smallmatrix} -0.025 \\ -0.064 \end{smallmatrix}$	55 ± 0.060
MRTS-46X54X8.2	46	54	8.2	9.2 $\begin{smallmatrix} +0.200 \\ 0.000 \end{smallmatrix}$	46 $\begin{smallmatrix} -0.025 \\ -0.064 \end{smallmatrix}$	54 ± 0.060
MRTS-50X60X7	50	60	7	7.5 $\begin{smallmatrix} +0.200 \\ 0.000 \end{smallmatrix}$	50 $\begin{smallmatrix} -0.025 \\ -0.064 \end{smallmatrix}$	60 ± 0.060
MRTS-50X60X9	50	60	9	10 $\begin{smallmatrix} +0.200 \\ 0.000 \end{smallmatrix}$	50 $\begin{smallmatrix} -0.025 \\ -0.064 \end{smallmatrix}$	60 ± 0.060
MRTS-50X60X10	50	60	10	11 $\begin{smallmatrix} +0.200 \\ 0.000 \end{smallmatrix}$	50 $\begin{smallmatrix} -0.025 \\ -0.064 \end{smallmatrix}$	60 ± 0.060
MRTS-50X65X10	50	65	10	11 $\begin{smallmatrix} +0.200 \\ 0.000 \end{smallmatrix}$	50 $\begin{smallmatrix} -0.025 \\ -0.064 \end{smallmatrix}$	65 ± 0.060
MRTS-55X65X10	55	65	10	11 $\begin{smallmatrix} +0.200 \\ 0.000 \end{smallmatrix}$	55 $\begin{smallmatrix} -0.030 \\ -0.076 \end{smallmatrix}$	65 ± 0.060

SELLOS TIPO U PARA VÁSTAGOS ESTILO MRTS

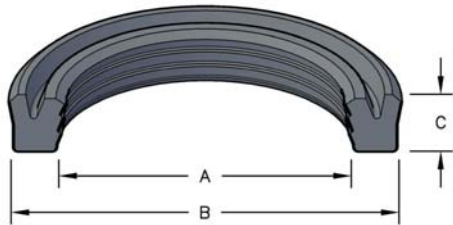
SELLOS "U" PARA VÁSTAGO

N° de Parte	A Nom. DI	B Nom. DE	C Nom. A	D Ancho de la Ranura	E Diámetro del Vástago	G Housing Diameter
MRTS-56X71X11.5	56	71	11.5	12.5 $\begin{smallmatrix} +0.200 \\ 0.000 \end{smallmatrix}$	56 $\begin{smallmatrix} -0.030 \\ -0.076 \end{smallmatrix}$	71 ± 0.060
MRTS-60X68X8	60	68	8	9 $\begin{smallmatrix} +0.200 \\ 0.000 \end{smallmatrix}$	60 $\begin{smallmatrix} -0.030 \\ -0.076 \end{smallmatrix}$	68 ± 0.060
MRTS-60X68X11.5	60	68	11.5	12.5 $\begin{smallmatrix} +0.200 \\ 0.000 \end{smallmatrix}$	60 $\begin{smallmatrix} -0.030 \\ -0.076 \end{smallmatrix}$	68 ± 0.060
MRTS-60X70X11.5	60	70	11.5	12.5 $\begin{smallmatrix} +0.200 \\ 0.000 \end{smallmatrix}$	60 $\begin{smallmatrix} -0.030 \\ -0.076 \end{smallmatrix}$	70 ± 0.060
MRTS-60X72X9	60	72	9	10 $\begin{smallmatrix} +0.200 \\ 0.000 \end{smallmatrix}$	60 $\begin{smallmatrix} -0.030 \\ -0.076 \end{smallmatrix}$	72 ± 0.060
MRTS-60X75X10	60	75	10	11 $\begin{smallmatrix} +0.200 \\ 0.000 \end{smallmatrix}$	60 $\begin{smallmatrix} -0.030 \\ -0.076 \end{smallmatrix}$	75 ± 0.060
MRTS-70X78X8	70	78	8	9 $\begin{smallmatrix} +0.200 \\ 0.000 \end{smallmatrix}$	70 $\begin{smallmatrix} -0.030 \\ -0.076 \end{smallmatrix}$	78 ± 0.060
MRTS-70X80X10	70	80	10	11 $\begin{smallmatrix} +0.200 \\ 0.000 \end{smallmatrix}$	70 $\begin{smallmatrix} -0.030 \\ -0.076 \end{smallmatrix}$	80 ± 0.060
MRTS-75X83X8	75	83	8	9 $\begin{smallmatrix} +0.200 \\ 0.000 \end{smallmatrix}$	75 $\begin{smallmatrix} -0.030 \\ -0.076 \end{smallmatrix}$	83 ± 0.070
MRTS-75X85X7	75	85	7	7.5 $\begin{smallmatrix} +0.200 \\ 0.000 \end{smallmatrix}$	75 $\begin{smallmatrix} -0.030 \\ -0.076 \end{smallmatrix}$	85 ± 0.070
MRTS-75X90X10.5	75	90	10.5	11.5 $\begin{smallmatrix} +0.200 \\ 0.000 \end{smallmatrix}$	75 $\begin{smallmatrix} -0.030 \\ -0.076 \end{smallmatrix}$	90 ± 0.070
MRTS-80X88X8	80	88	8	9 $\begin{smallmatrix} +0.200 \\ 0.000 \end{smallmatrix}$	80 $\begin{smallmatrix} -0.030 \\ -0.076 \end{smallmatrix}$	88 ± 0.070
MRTS-80X92X9	80	92	9	10 $\begin{smallmatrix} +0.200 \\ 0.000 \end{smallmatrix}$	80 $\begin{smallmatrix} -0.030 \\ -0.076 \end{smallmatrix}$	92 ± 0.070
MRTS-80X95X11	80	95	11	12 $\begin{smallmatrix} +0.200 \\ 0.000 \end{smallmatrix}$	80 $\begin{smallmatrix} -0.030 \\ -0.076 \end{smallmatrix}$	95 ± 0.070
MRTS-80X96X9.5	80	96	9.5	10.5 $\begin{smallmatrix} +0.200 \\ 0.000 \end{smallmatrix}$	80 $\begin{smallmatrix} -0.030 \\ -0.076 \end{smallmatrix}$	96 ± 0.070
MRTS-85X93X8	85	93	8	9 $\begin{smallmatrix} +0.200 \\ 0.000 \end{smallmatrix}$	85 $\begin{smallmatrix} -0.036 \\ -0.090 \end{smallmatrix}$	93 ± 0.070
MRTS-86X101X12	86	101	12	13 $\begin{smallmatrix} +0.200 \\ 0.000 \end{smallmatrix}$	86 $\begin{smallmatrix} -0.036 \\ -0.090 \end{smallmatrix}$	101 ± 0.070
MRTS-90X102X9	90	102	9	10 $\begin{smallmatrix} +0.200 \\ 0.000 \end{smallmatrix}$	90 $\begin{smallmatrix} -0.036 \\ -0.090 \end{smallmatrix}$	102 ± 0.070
MRTS-90X105X11.5	90	105	11.5	12.5 $\begin{smallmatrix} +0.200 \\ 0.000 \end{smallmatrix}$	90 $\begin{smallmatrix} -0.036 \\ -0.090 \end{smallmatrix}$	105 ± 0.070
MRTS-90X110X14	90	110	14	15 $\begin{smallmatrix} +0.200 \\ 0.000 \end{smallmatrix}$	90 $\begin{smallmatrix} -0.036 \\ -0.090 \end{smallmatrix}$	110 ± 0.070
MRTS-100X108X8	100	108	8	9 $\begin{smallmatrix} +0.200 \\ 0.000 \end{smallmatrix}$	100 $\begin{smallmatrix} -0.036 \\ -0.090 \end{smallmatrix}$	108 ± 0.070
MRTS-100X115X12	100	115	12	13 $\begin{smallmatrix} +0.200 \\ 0.000 \end{smallmatrix}$	100 $\begin{smallmatrix} -0.036 \\ -0.090 \end{smallmatrix}$	115 ± 0.070
MRTS-110X120X11.5	110	120	11.5	12.5 $\begin{smallmatrix} +0.200 \\ 0.000 \end{smallmatrix}$	110 $\begin{smallmatrix} -0.036 \\ -0.090 \end{smallmatrix}$	120 ± 0.070
MRTS-110X125X11.3	110	125	11.3	12.3 $\begin{smallmatrix} +0.200 \\ 0.000 \end{smallmatrix}$	110 $\begin{smallmatrix} -0.036 \\ -0.090 \end{smallmatrix}$	125 ± 0.080
MRTS-120X128X8	120	128	8	9 $\begin{smallmatrix} +0.200 \\ 0.000 \end{smallmatrix}$	120 $\begin{smallmatrix} -0.036 \\ -0.090 \end{smallmatrix}$	128 ± 0.080

SELLOS TIPO U PARA VÁSTAGOS ESTILO MHMU

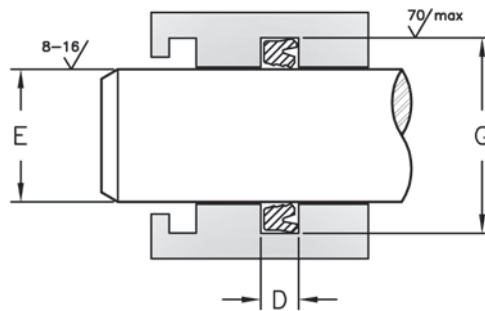


El estilo de sellos tipo U para vástagos, con varios labios, estilo MHMU combina las funciones de compensación de presión unidireccional de un sello en U con la eficacia de sellado de los labios múltiples característica de los empaques apilados de compresión. El sello MHMU está hecho con materiales de primera calidad y utiliza varios bordes de labios de sello para el desempeño correcto de vástagos en seco minimizando, al mismo tiempo, la fricción. El diseño de varios labios mantiene parejo el borde de sellado crítico aun cuando la presión creciente mueva la línea de contacto hacia abajo, en dirección a la base.



HERCULES N° DE PARTES

MHMU - 12 x 19 x 5
 Tipo de Sello Diámetro Interno Diámetro Externo Altura



INFORMACIÓN DEL SELLO	
MATERIAL	URETANO
RANGO DE TEMPERATURA	-50 TO +230° F
RANGO DE PRESIÓN	0 TO 5,000 PSI
VELOCIDAD	3 Pie/Seg

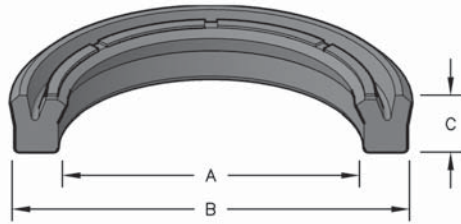
SELLOS "U" PARA VÁSTAGO

N° de Parte	A Nom. DI	B Nom. DE	C Nom. A	E Rod Diameter	G Housing Diameter	D Ancho de la Ranura
MHMU-12X19X5U	12	19	5	12 -0.016 -0.059	19 ±0.065	5.6 +0.250 +0.000
MHMU-14X21X5U	14	21	5	14 -0.016 -0.059	21 ±0.065	5.6 +0.250 +0.000
MHMU-18X25X5U	18	25	5	18 -0.016 -0.059	25 ±0.065	5.6 +0.250 +0.000
MHMU-22X29X5U	22	29	5	22 -0.020 -0.072	29 ±0.065	5.6 +0.250 +0.000
MHMU-28X36X5.7U	28	36	5.7	28 -0.020 -0.072	36 ±0.080	6.3 +0.250 +0.000
MHMU-36X44X5.7U	36	44	5.7	36 -0.025 -0.087	44 ±0.080	6.3 +0.250 +0.000
MHMU-45X53X5.7U	45	53	5.7	45 -0.025 -0.087	53 ±0.095	6.3 +0.250 +0.000
MHMU-56X66X6.5U	56	66	6.5	56 -0.030 -0.104	66 ±0.095	7.5 +0.250 +0.000
MHMU-70X80X6.5U	70	80	6.5	70 -0.030 -0.104	80 ±0.095	7.5 +0.250 +0.000
MHMU-90X100X6.5U	90	100	6.5	90 -0.036 -0.123	100 ±0.110	7.5 +0.250 +0.000
MHMU-110X125X9.6U	110	125	9.6	110 -0.036 -0.123	125 ±0.125	10.6 +0.250 +0.000
MHMU-140X155X9.6U	140	155	9.6	140 -0.043 -0.143	155 ±0.125	10.6 +0.250 +0.000

El color del sello puede variar. Medidas especiales estan disponibles. Por favor comunicarse con su representante de ventas para asistencia inmediata.

SELLOS TIPO U PARA VÁSTAGOS ESTILO MRUN

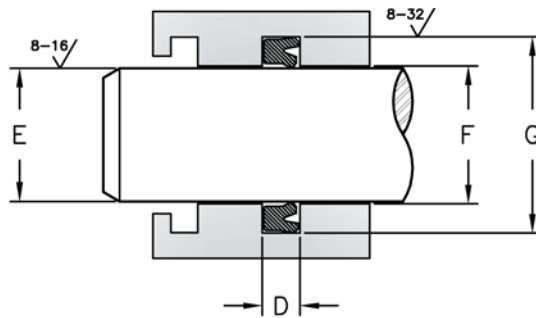
El sello tipo U para vástagos MRUN está diseñado con una mayor resistencia al aceite y la solidificación por compresión que los sellos de uretano. El anillo de respaldo de sello en U incrementa la resistencia a la presión del sello de 2.000 a 3.000 psi.



HERCULES N° DE PARTES

MRUN - 20 X 28 X 5

Tipo de Sello: MRUN
 Diámetro del Vástago: 20
 Diámetro de la Ranura: 28
 Altura: 5



INFORMACIÓN DEL SELLO

MATERIAL	NITRILO
RANGO DE TEMPERATURA	-8°F a +212° F
RANGO DE PRESIÓN	0 a 2,000 psi W/O BACK-UP 0 a 3,000 psi W/ BACK-UP
VELOCIDAD	3 Pie/Seg
SUFIJO	LT = TEMPERATURA BAJA NITRILO (-67° F a +176° F)

SELLOS "U" PARA VÁSTAGO

N° de Parte	A Nom. DI	B Nom. DE	C Nom. A	D Ancho de la Ranura	E Diámetro del Vástago	F Throat Diameter	G Housing Diameter
MRUN-20X28X5-LT	20	28	5	5.7 ±0.20	20 -0.020 -0.053	20 +0.052 -0.000	28 +0.00 -0.20
MRUN-22.4X30.4X5	22.4	30.4	5	5.7 ±0.20	22.4 -0.020 -0.053	22.4 +0.052 -0.000	30.4 +0.00 -0.20
MRUN-30X40X6	30	40	6	7.0 ±0.20	30 -0.020 -0.053	30 +0.052 -0.000	40 +0.00 -0.20
MRUN-32X42X6	32	42	6	7.0 ±0.20	32 -0.025 -0.064	32 +0.062 -0.000	42 +0.00 -0.20
MRUN-40X50X6	40	50	6	7 ±0.200	40 -0.025 -0.064	40 +0.062 -0.000	50 +0.000 -0.200
MRUN-40X50X7	40	50	7	8.0 ±0.20	40 -0.025 -0.064	40 +0.062 -0.000	50 +0.00 -0.20
MRUN-40X50X8	40	50	8	9.0 ±0.20	40 -0.025 -0.064	40 +0.062 -0.000	50 +0.00 -0.20
MRUN-45X55X6	45	55	6	7 ±0.200	45 -0.025 -0.064	45 +0.062 -0.000	55 +0.000 -0.200
MRUN-45X55X7	45	55	7	8.0 ±0.20	45 -0.025 -0.064	45 +0.062 -0.000	55 +0.00 -0.20
MRUN-45X56X7	45	56	7	8.0 ±0.20	45 -0.025 -0.064	45 +0.062 -0.000	56 +0.00 -0.20
MRUN-50X63X8	50	63	8	9.0 ±0.20	50 -0.025 -0.064	50 +0.062 -0.000	63 +0.00 -0.20
MRUN-50X63X10	50	63	10	11.0 ±0.20	50 -0.025 -0.064	50 +0.062 -0.000	63 +0.00 -0.20

SELLOS TIPO U PARA VÁSTAGOS ESTILO MRUN



N° de Parte	A Nom. DI	B Nom. DE	C Nom. A	D Ancho de la Ranura	E Diámetro del Vástago	F Throat Diameter	G Housing Diameter
MRUN-55X68X10	55	68	10	11.0 ±0.20	55 -0.030 -0.076	55 +0.074 -0.000	68 +0.00 -0.20
MRUN-60X73X10	60	73	10	11.0 ±0.20	60 -0.030 -0.076	60 +0.074 -0.000	73 +0.00 -0.20
MRUN-65X78X10	65	78	10	11.0 ±0.20	65 -0.030 -0.076	65 +0.074 -0.000	78 +0.00 -0.20
MRUN-70X83X10	70	83	10	11.0 ±0.20	70 -0.030 -0.076	70 +0.074 -0.000	83 +0.00 -0.20
MRUN-70X85X9	70	85	9	10 ±0.200	70 -0.030 -0.076	70 +0.074 -0.000	85 +0.000 -0.200
MRUN-75X88X10	75	88	10	11.0 ±0.20	75 -0.030 -0.076	75 +0.074 -0.000	88 +0.00 -0.20
MRUN-80X93X10	80	93	10	11.0 ±0.20	80 -0.030 -0.076	80 +0.074 -0.000	93 +0.00 -0.20
MRUN-80X95X9	80	95	8	10 ±0.200	80 -0.030 -0.076	80 +0.074 -0.000	95 +0.000 -0.200
MRUN-85X100X10	85	100	10	11.0 ±0.20	85 -0.036 -0.090	85 +0.087 -0.000	100 +0.00 -0.20
MRUN-90X105X9	90	105	9	10.0 ±0.20	90 -0.036 -0.090	105 +0.00 -0.20	105 +0.00 -0.20
MRUN-90X105X10	90	105	10	11.0 ±0.20	90 -0.036 -0.090	90 +0.087 -0.000	105 +0.00 -0.20
MRUN-90X110X12	90	110	12	13.0 ±0.20	90 -0.036 -0.090	90 +0.087 -0.000	110 +0.00 -0.20
MRUN-95X110X9	95	110	9	10.0 ±0.20	95 -0.036 -0.090	90 +0.087 -0.000	110 +0.00 -0.20
MRUN-95X110X10.5	95	110	10.5	11.5 ±0.20	95 -0.036 -0.090	95 +0.087 -0.000	110 +0.00 -0.20
MRUN-95X115X12	95	115	12	13.0 ±0.20	95 -0.036 -0.090	95 +0.087 -0.000	115 +0.00 -0.20
MRUN-100X115X10	100	115	10	11.0 ±0.20	100 -0.036 -0.090	100 +0.087 -0.000	115 +0.00 -0.20
MRUN-105X120X9	105	120	9	10.0 ±0.20	100 -0.036 -0.090	100 +0.087 -0.000	115 +0.00 -0.20
MRUN-105X125X12	105	125	12	13.0 ±0.20	105 -0.036 -0.090	105 +0.087 -0.000	125 +0.00 -0.20
MRUN-105X125X15	105	125	15	16.0 ±0.20	105 -0.036 -0.090	105 +0.087 -0.000	125 +0.00 -0.20
MRUN-110X130X10	110	130	10	11.0 ±0.20	110 -0.036 -0.090	110 +0.087 -0.000	130 +0.00 -0.20
MRUN-115X130X10	115	130	10	11.0 ±0.20	115 -0.036 -0.090	115 +0.087 -0.000	130 +0.00 -0.20
MRUN-115X130X10-LT	115	130	10	11.0 ±0.20	115 -0.036 -0.090	115 +0.087 -0.000	130 +0.00 -0.20
MRUN-120X140X10	120	140	10	11.0 ±0.20	120 -0.036 -0.090	120 +0.087 -0.000	140 +0.00 -0.20
MRUN-125X145X12	125	145	12	13.0 ±0.20	125 -0.043 -0.106	125 +0.100 -0.000	145 +0.00 -0.20
MRUN-130X145X10	130	145	10	11.0 ±0.20	130 -0.043 -0.106	130 +0.100 -0.000	145 +0.00 -0.20

SELLOS "U" PARA VÁSTAGO

SELLOS TIPO U PARA VÁSTAGOS ESTILO MRUN

N° de Parte	A Nom. DI	B Nom. DE	C Nom. A	D Ancho de la Ranura	E Diámetro del Vástago	F Throat Diameter	G Housing Diameter
MRUN-130X150X12	130	150	12	13.0 ±0.20	130 -0.043 -0.106	130 +0.100 -0.000	150 +0.00 -0.20
MRUN-140X160X12	140	160	12	13.0 ±0.20	140 -0.043 -0.106	140 +0.100 -0.000	160 +0.00 -0.20
MRUN-180X205X15.5	180	205	15.5	16.5 ±0.20	180 -0.043 -0.106	180 +0.100 -0.000	205 +0.00 -0.20



Disponible para ordenar a través
de la página de internet!
Vaya a www.HerculesUS.com
y ordene ya.

Ordene en línea
Reciba guía de transporte via
E-mail.

Historial de ordenes de compra y
disponibilidad de inventario al día.

El color del sello puede variar. Medidas especiales están disponibles. Medidas no ofrecidas en el catálogo pueden también ser ordenadas para entrega al siguiente día a través de nuestro programa de sellos especiales. Por favor comunicarse con su representante de ventas para asistencia inmediata.