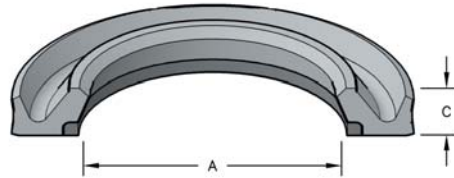


SELLOS AMORTIGUADORES ESTILO MYR



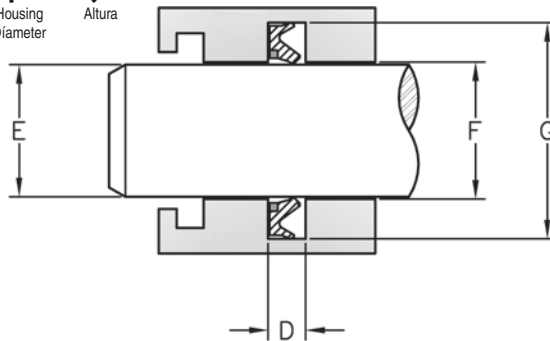
Este sello, moldeado en uretano y con un respaldo, absorbe el choque de los picos de presión para proteger el sello de vástago. El diseño único alivia la contrapresión entre el amortiguador y el sello del vástago.



HERCULES N° DE PARTES

MYR - 40 X 50.7 X 3.9

Tipo de Sello Diámetro Interno Housing Diameter Altura



INFORMACIÓN DEL SELLO

MATERIAL	BUFFER DE URETANO ACTIVADOR DE NILÓN
RANGO DE TEMPERATURA	-34° a +104° C
RANGO DE PRESIÓN	0 a 7,000 PSI
VELOCIDAD	3 Pie/Seg

N° de Parte	A Nom. DI	C Nom. A	D Ancho de la Ranura	E Diámetro del Vástago	F Throat Diámetro	G Housing Diámetro
MYR-40X50.7X3.9	40	3.9	4.2 +0.20 -0.00	40 -0.025 -0.064	40 +0.062 -0.000	50.70 +0.20 -0.00
MYR-40X55.5X5.9	40	5.9	6.3 +0.20 -0.00	40 -0.025 -0.064	40 +0.062 -0.000	55.50 +0.20 -0.00
MYR-45X55.7X3.9	45	3.9	4.2 +0.20 -0.00	45 -0.025 -0.064	45 +0.062 -0.000	55.70 +0.20 -0.00
MYR-45X60.5X5.9	45	5.9	6.3 +0.20 -0.00	45 -0.025 -0.064	45 +0.062 -0.000	60.50 +0.20 -0.00
MYR-50X65.5X5.9	50	5.9	6.3 +0.20 -0.00	50 -0.025 -0.064	50 +0.062 -0.000	65.50 +0.20 -0.00
MYR-55X70.5X5.9	55	5.9	6.3 +0.20 -0.00	55 -0.030 -0.076	55 +0.074 -0.000	70.50 +0.20 -0.00
MYR-56X71.5X5.9	56	5.9	6.3 +0.20 -0.00	56 -0.030 -0.076	56 +0.074 -0.000	71.50 +0.20 -0.00
MYR-60X75.5X5.9	60	5.9	6.3 +0.20 -0.00	60 -0.030 -0.076	60 +0.074 -0.000	75.50 +0.20 -0.00
MYR-63X78.5X5.9	63	5.9	6.3 +0.20 -0.00	63 -0.030 -0.076	63 +0.074 -0.000	78.50 +0.20 -0.00
MYR-65X80.5X5.9	65	5.9	6.3 +0.20 -0.00	65 -0.030 -0.076	65 +0.074 -0.000	80.50 +0.20 -0.00
MYR-70X85.5X5.9	70	5.9	6.3 +0.20 -0.00	70 -0.030 -0.076	70 +0.074 -0.000	85.50 +0.20 -0.00
MYR-75X90.5X5.9	75	5.9	6.3 +0.20 -0.00	75 -0.030 -0.076	75 +0.074 -0.000	90.50 +0.20 -0.00
MYR-80X95.5X5.9	80	5.9	6.3 +0.20 -0.00	80 -0.030 -0.076	80 +0.074 -0.000	95.50 +0.20 -0.00
MYR-85X100.5X5.9	85	5.9	6.3 +0.20 -0.00	85 -0.036 -0.090	85 +0.087 -0.000	100.50 +0.20 -0.00
MYR-90X105.5X5.9	90	5.9	6.3 +0.20 -0.00	90 -0.036 -0.090	90 +0.087 -0.000	105.50 +0.20 -0.00

SELLOS BUFFER

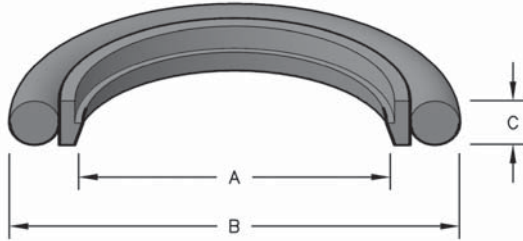

SELLOS AMORTIGUADORES ESTILO MYR

N° de Parte	A Nom. DI	C Nom. A	D Ancho de la Ranura	E Diámetro del Vástago	F Throat Diámetro	G Housing Diámetro
MYR-95X110.5X5.9	95	5.9	6.3 +0.20 -0.00	95 -0.036 -0.090	95 +0.087 -0.000	110.50 +0.20 -0.00
MYR-100X115.5X5.9	100	5.9	6.3 +0.20 -0.00	100 -0.036 -0.090	100 +0.087 -0.000	115.50 +0.20 -0.00
MYR-105X120.5X5.9	105	5.9	6.3 +0.20 -0.00	105 -0.036 -0.090	105 +0.087 -0.000	120.50 +0.20 -0.00
MYR-110X125.5X5.9	110	5.9	6.3 +0.20 -0.00	110 -0.036 -0.090	110 +0.087 -0.000	125.50 +0.20 -0.00
MYR-115X130.5X5.9	115	5.9	6.3 +0.20 -0.00	115 -0.036 -0.090	115 +0.087 -0.000	130.50 +0.20 -0.00
MYR-120X135.5X5.9	120	5.9	6.3 +0.20 -0.00	120 -0.036 -0.090	120 +0.087 -0.000	135.50 +0.20 -0.00
MYR-125X140.5X5.9	125	5.9	6.3 +0.20 -0.00	125 -0.043 -0.106	125 +0.100 -0.000	140.50 +0.20 -0.00
MYR-130X145.5X5.9	130	5.9	6.3 +0.20 -0.00	130 -0.043 -0.106	130 +0.100 -0.000	145.50 +0.20 -0.00
MYR-140X155.5X5.9	140	5.9	6.3 +0.20 -0.00	140 -0.043 -0.106	140 +0.100 -0.000	155.50 +0.20 -0.00
MYR-150X165.5X5.9	150	5.9	6.3 +0.20 -0.00	150 -0.043 -0.106	150 +0.100 -0.000	165.50 +0.20 -0.00
MYR-155X170.5X5.9	155	5.9	6.3 +0.20 -0.00	155 -0.043 -0.106	155 +0.100 -0.000	170.50 +0.20 -0.00
MYR-160X175.5X5.9	160	5.9	6.3 +0.20 -0.00	160 -0.043 -0.106	160 +0.100 -0.000	175.50 +0.20 -0.00
MYR-165X180.5X5.9	165	5.9	6.3 +0.20 -0.00	165 -0.043 -0.106	165 +0.100 -0.000	180.50 +0.20 -0.00
MYR-170X185.5X5.9	170	5.9	6.3 +0.20 -0.00	170 -0.043 -0.106	170 +0.100 -0.000	185.50 +0.20 -0.00
MYR-180X195.5X5.9	180	5.9	6.3 +0.20 -0.00	180 -0.043 -0.106	180 +0.100 -0.000	195.50 +0.20 -0.00
MYR-190X205.5X5.9	190	5.9	6.3 +0.20 -0.00	190 -0.050 -0.122	190 +0.115 -0.000	205.50 +0.20 -0.00

SELLOS BUFFER

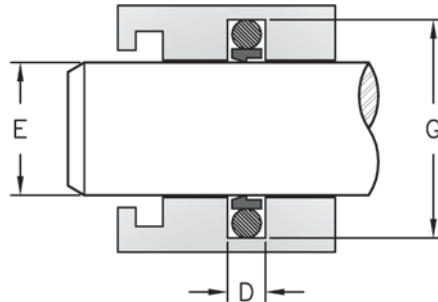
SELLOS AMORTIGUADORES ESTILO MKR

Este sello, moldeado en PTFE con un energizador de caucho, absorbe el choque de los picos de presión para proteger el sello de vástago.



HERCULES N° DE PARTES

MKR - 06 X 11 X 2
 Tipo de Sello Diámetro Interno Diámetro Externo Altura



INFORMACIÓN DEL SELLO	
MATERIAL	BUFFER RELLENO DE PTFE ACTIVADOR DE NITRILO 70
RANGO DE TEMPERATURA	-40° a +104° C
RANGO DE PRESIÓN	0 a 5,000 PSI
VELOCIDAD	12 Pie/Seg

SELLOS BUFFER

N° de Parte	A Nom. DI	B Nom. DE	C Nom. A	E Diámetro del Vástago	G Housing Diámetro	D Ancho de la Ranura
MKR-06X11X2	6	11	2	6 -0.010 -0.028	11 +0.200 +0.000	2.2 +0.200 +0.000
MKR-08X13X2	8	13	2	8 -0.013 -0.035	13 +0.200 +0.000	2.2 +0.200 +0.000
MKR-08X15.5X3	8	15.5	3	8 -0.013 -0.035	15.5 +0.200 +0.000	3.2 +0.200 +0.000
MKR-12X17X2	12	17	2	12 -0.016 -0.043	17 +0.200 +0.000	2.2 +0.200 +0.000
MKR-12X19.5X3	12	19.5	3	12 -0.016 -0.043	19.5 +0.200 +0.000	3.2 +0.200 +0.000
MKR-14X21.5X3	14	21.5	3	14 -0.016 -0.043	21.5 +0.200 +0.000	3.2 +0.200 +0.000
MKR-15X22.5X3	15	22.5	3	15 -0.016 -0.043	22.5 +0.200 +0.000	3.2 +0.200 +0.000
MKR-16X23.5X3	16	23.5	3	16 -0.016 -0.043	23.5 +0.200 +0.000	3.2 +0.200 +0.000
MKR-18X23X2	18	23	2	18 -0.016 -0.043	23 +0.200 +0.000	2.2 +0.200 +0.000
MKR-18X25.5X3	18	25.5	3	18 -0.016 -0.043	25.5 +0.200 +0.000	3.2 +0.200 +0.000
MKR-20X27.5X3	20	27.5	3	20 -0.020 -0.053	27.5 +0.200 +0.000	3.2 +0.200 +0.000
MKR-20X31X4	20	31	4	20 -0.020 -0.053	31 +0.200 +0.000	4.2 +0.200 +0.000
MKR-22X29.5X3	22	29.5	3	22 -0.020 -0.053	29.5 +0.200 +0.000	3.2 +0.200 +0.000
MKR-22X33X4	22	33	4	22 -0.020 -0.053	33 +0.200 +0.000	4.2 +0.200 +0.000

El color del sello puede variar. Medidas especiales están disponibles. Medidas no ofrecidas en el catálogo pueden también ser ordenadas para entrega al siguiente día a través de nuestro programa de sellos especiales. Por favor comunicarse con su representante de ventas para asistencia inmediata.

SELLOS AMORTIGUADORES ESTILO MKR

N° de Parte	A Nom. DI	B Nom. DE	C Nom. A	E Diámetro del Vástago	G Housing Diámetro	D Ancho de la Ranura
MKR-25X32.5X3	25	32.5	3	25 -0.020 -0.053	32.5 +0.200 +0.000	3.2 +0.200 +0.000
MKR-25X35.7X4	25	35.7	4	25 -0.020 -0.053	35.7 +0.200 +0.000	4.2 +0.200 +0.000
MKR-28X35.5X3	28	35.5	3	28 -0.020 -0.053	35.5 +0.200 +0.000	3.2 +0.200 +0.000
MKR-28X39X4	28	39	4	28 -0.020 -0.053	39 +0.200 +0.000	4.2 +0.200 +0.000
MKR-30X40.7X3.9	30	40.7	3.9	30 -0.020 -0.053	40.7 +0.200 +0.000	4.2 +0.200 +0.000
MKR-32X39.5X3	32	39.5	3	32 -0.025 -0.064	39.5 +0.200 +0.000	3.2 +0.200 +0.000
MKR-32X43X4	32	43	4	32 -0.025 -0.064	43 +0.200 +0.000	4.2 +0.200 +0.000
MKR-35X42.5X3	35	42.5	3	35 -0.025 -0.064	42.5 +0.200 +0.000	3.2 +0.200 +0.000
MKR-35X46X4	35	46	4	35 -0.025 -0.064	46 +0.200 +0.000	4.2 +0.200 +0.000
MKR-36X43.5X3	36	43.5	3	36 -0.025 -0.064	43.5 +0.200 +0.000	3.2 +0.200 +0.000
MKR-36X47X4	36	47	4	36 -0.025 -0.064	47 +0.200 +0.000	4.2 +0.200 +0.000
MKR-40X51X4	40	51	4	40 -0.025 -0.064	51 +0.200 +0.000	4.2 +0.200 +0.000
MKR-40X52.6X4	40	52.6	4	40 -0.025 -0.064	52.6 +0.200 +0.000	4.2 +0.200 +0.000
MKR-40X55.5X5.9	40	55.5	5.9	40 -0.025 -0.064	55.5 +0.200 +0.000	6.3 +0.200 +0.000
MKR-45X56X4	45	56	4	45 -0.025 -0.064	56 +0.200 +0.000	4.2 +0.200 +0.000
MKR-45X57.6X4	45	57.6	4	45 -0.025 -0.064	57.6 +0.200 +0.000	4.2 +0.200 +0.000
MKR-45X60.5X5.9	45	60.5	5.9	45 -0.025 -0.064	60.5 +0.200 +0.000	6.3 +0.200 +0.000
MKR-50X60X4.5	50	60	4.5	50 -0.025 -0.064	60 +0.200 +0.000	4.8 +0.200 +0.000
MKR-50X61X4	50	61	4	50 -0.025 -0.064	61 +0.200 +0.000	4.2 +0.200 +0.000
MKR-50X62.6X4	50	62.6	4	50 -0.025 -0.064	62.6 +0.200 +0.000	4.2 +0.200 +0.000
MKR-50X65.5X5.9	50	65.5	5.9	50 -0.025 -0.064	65.5 +0.200 +0.000	6.3 +0.200 +0.000
MKR-55X70.5X5.9	55	70.5	5.9	55 -0.030 -0.076	70.5 +0.200 +0.000	6.3 +0.200 +0.000
MKR-56X68.6X4	56	68.6	4	56 -0.030 -0.076	68.6 +0.200 +0.000	4.2 +0.200 +0.000
MKR-56X71.5X5.9	56	71.5	5.9	56 -0.030 -0.076	71.5 +0.200 +0.000	6.3 +0.200 +0.000
MKR-60X71X4	60	71	4	60 -0.030 -0.076	71 +0.200 +0.000	4.2 +0.200 +0.000
MKR-60X75.5X5.9	60	75.5	5.9	60 -0.030 -0.076	75.5 +0.200 +0.000	6.3 +0.200 +0.000
MKR-63X75.6X3.9	63	75.6	3.9	63 -0.030 -0.076	75.6 +0.200 +0.000	4.2 +0.200 +0.000
MKR-63X78.5X5.9	63	78.5	5.9	63 -0.030 -0.076	78.5 +0.200 +0.000	6.3 +0.200 +0.000
MKR-65X80.5X5.9	65	80.5	5.9	65 -0.030 -0.076	80.5 +0.200 +0.000	6.3 +0.200 +0.000

SELLOS AMORTIGUADORES ESTILO MKR

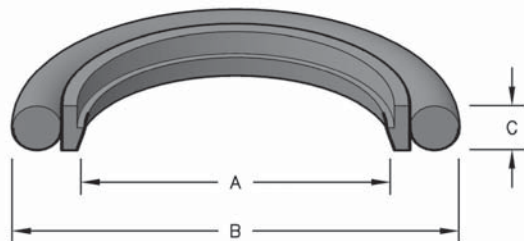


N° de Parte	A Nom. DI	B Nom. DE	C Nom. A	E Diámetro del Vástago	G Housing Diámetro	D Ancho de la Ranura
MKR-70X81X4	70	81	4	70 -0.030 -0.076	81 +0.200 +0.000	4.2 +0.200 +0.000
MKR-70X85.5X5.9	70	85.5	5.9	70 -0.030 -0.076	85.5 +0.200 +0.000	6.3 +0.200 +0.000
MKR-75X90.5X5.9	75	90.5	5.9	75 -0.030 -0.076	90.5 +0.200 +0.000	6.3 +0.200 +0.000
MKR-80X95.5X5.9	80	95.5	5.9	80 -0.030 -0.076	95.5 +0.200 +0.000	6.3 +0.200 +0.000
MKR-85X100.5X5.9	85	100.5	5.9	85 -0.036 -0.090	100.5 +0.200 +0.000	6.3 +0.200 +0.000
MKR-90X105.5X5.9	90	105.5	5.9	90 -0.036 -0.090	105.5 +0.200 +0.000	6.3 +0.200 +0.000
MKR-95X110.5X5.9	95	110.5	5.9	95 -0.036 -0.090	110.5 +0.200 +0.000	6.3 +0.200 +0.000
MKR-100X115.5X5.9	100	115.5	5.9	100 -0.036 -0.090	115.5 +0.200 +0.000	6.3 +0.200 +0.000
MKR-105X120.5X5.9	105	120.5	5.9	105 -0.036 -0.090	120.5 +0.200 +0.000	6.3 +0.200 +0.000
MKR-110X125.5X5.9	110	125.5	5.9	110 -0.036 -0.090	125.5 +0.200 +0.000	6.3 +0.200 +0.000
MKR-115X130.5X5.9	115	130.5	5.9	115 -0.036 -0.090	130.5 +0.200 +0.000	6.3 +0.200 +0.000
MKR-120X135.5X5.9	120	135.5	5.9	120 -0.036 -0.090	135.5 +0.200 +0.000	6.3 +0.200 +0.000
MKR-125X140.5X5.9	125	140.5	5.9	125 -0.043 -0.106	140.5 +0.200 +0.000	6.3 +0.200 +0.000
MKR-130X145.5X5.9	130	145.5	5.9	130 -0.043 -0.106	145.5 +0.200 +0.000	6.3 +0.200 +0.000
MKR-140X155.5X5.9	140	155.5	5.9	140 -0.043 -0.106	155.5 +0.200 +0.000	6.3 +0.200 +0.000
MKR-150X165.5X5.9	150	165.5	5.9	150 -0.043 -0.106	165.5 +0.200 +0.000	6.3 +0.200 +0.000
MKR-160X175.5X5.9	160	175.5	5.9	160 -0.043 -0.106	175.5 +0.200 +0.000	6.3 +0.200 +0.000
MKR-170X185.5X5.9	170	185.5	5.9	170 -0.043 -0.106	185.5 +0.200 +0.000	6.3 +0.200 +0.000

SELLOS BUFFER

SELLOS AMORTIGUADORES ESTILO MKR-V

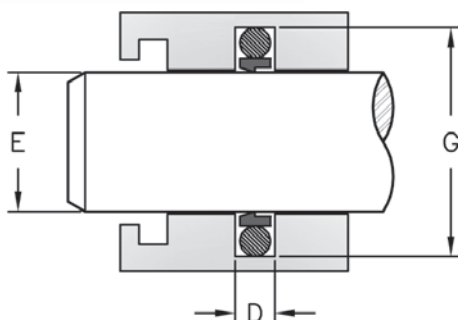
Este sello, moldeado en PTFE con carga de bronce con un energizador FKM, se utiliza para proteger el sello principal de los daños provocados por los picos de presión y la acumulación excesiva de calor.



HERCULES N° DE PARTES

MKR - 25 X 33 X 3

Tipo de Prefijo Diámetro Interno Diámetro Externo Altura



INFORMACIÓN DEL SELLO

MATERIAL	SELLOS DE AMORTIGUACION DE BRONCE / PTFE Y ENERGIZADOR DE FKM
RANGO DE TEMPERATURA	-20 - +400° F
RANGO DE PRESIÓN	0 a 5,000 PSI
VELOCIDAD	12 Pie/Seg

N° de Parte	A Nom. DI	B Nom. DE	C Nom. A	E Diámetro del Vástago	G Housing Diameter	D Ancho de la Ranura
MKR-25X33X3.0V	25	33	3	25 -0.020 -0.053	33 +0.200 +0.000	3.2 +0.200 +0.000
MKR-25X35.7X4V	25	35.7	4	25 -0.020 -0.053	35.7 +0.200 +0.000	4.2 +0.200 +0.000
MKR-30X40.7X3.9V	30	40.7	3.9	30 -0.020 -0.053	40.7 +0.200 +0.000	4.2 +0.200 +0.000
MKR-35X42.5X3V	35	42.5	3	35 -0.025 -0.064	42.5 +0.200 +0.000	3.2 +0.200 +0.000
MKR-40X52.6X4V	40	52.6	4	40 -0.025 -0.064	52.6 +0.200 +0.000	4.2 +0.200 +0.000
MKR-40X55.5X5.9V	40	55.5	5.9	40 -0.025 -0.064	55.5 +0.200 +0.000	6.3 +0.200 +0.000
MKR-45X57.6X4V	45	57.6	4	45 -0.025 -0.064	57.6 +0.200 +0.000	4.2 +0.200 +0.000
MKR-50X60X4.5V	50	60	4.5	50 -0.025 -0.064	60 +0.200 +0.000	4.8 +0.200 +0.000
MKR-50X62.6X4V	50	62.6	4	50 -0.025 -0.064	62.6 +0.200 +0.000	4.2 +0.200 +0.000
MKR-50X65.1X5.9-B5V	50	65.1	5.9	50 -0.025 -0.064	65.1 +0.200 +0.000	6.3 +0.200 +0.000
MKR-50X65.5X5.9V	50	65.5	5.9	50 -0.025 -0.064	65.5 +0.200 +0.000	6.3 +0.200 +0.000
MKR-56X68.6X4V	56	68.6	4	56 -0.030 -0.076	68.6 +0.200 +0.000	4.2 +0.200 +0.000
MKR-59X74.1X5.9-B5V	59	74.1	5.9	59 -0.030 -0.076	74.1 +0.200 +0.000	6.3 +0.200 +0.000

SELLOS AMORTIGUADORES ESTILO MKR-V

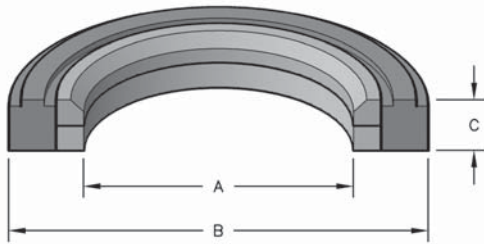


N° de Parte	A Nom. DI	B Nom. DE	C Nom. A	E Diámetro del Vástago	G Housing Diámetro	D Ancho de la Ranura
MKR-60X75.5X5.9V	60	75.5	5.9	60 -0.030 -0.076	75.5 +0.200 +0.000	6.3 +0.200 +0.000
MKR-63X75.6X3.9V	63	75.6	3.9	63 -0.030 -0.076	75.6 +0.200 +0.000	4.2 +0.200 +0.000
MKR-63X78.1X5.9-B5V	63	78.1	5.9	63 -0.030 -0.076	78.1 +0.200 +0.000	6.3 +0.200 +0.000
MKR-65X80.5X5.9V	65	80.5	5.9	65 -0.030 -0.076	80.5 +0.200 +0.000	6.3 +0.200 +0.000
MKR-70X85.5X5.9V	70	85.5	5.9	70 -0.030 -0.076	85.5 +0.200 +0.000	6.3 +0.200 +0.000
MKR-75X90.5X5.9V	75	90.5	5.9	75 -0.030 -0.076	90.5 +0.200 +0.000	6.3 +0.200 +0.000
MKR-80X95.5X5.9V	80	95.5	5.9	80 -0.030 -0.076	95.5 +0.200 +0.000	6.3 +0.200 +0.000
MKR-85X100.5X5.9V	85	100.5	5.9	85 -0.036 -0.090	100.5 +0.200 +0.000	6.3 +0.200 +0.000
MKR-90X105.5X5.9V	90	105.5	5.9	90 -0.036 -0.090	105.5 +0.200 +0.000	6.3 +0.200 +0.000
MKR-95X110.5X5.9V	95	110.5	5.9	95 -0.036 -0.090	110.5 +0.200 +0.000	6.3 +0.200 +0.000
MKR-100X115.5X5.9V	100	115.5	5.9	100 -0.036 -0.090	115.5 +0.200 +0.000	6.3 +0.200 +0.000
MKR-105X120.5X5.9V	105	120.5	5.9	105 -0.036 -0.090	120.5 +0.200 +0.000	6.3 +0.200 +0.000
MKR-110X125.5X5.9V	110	125.5	5.9	110 -0.036 -0.090	125.5 +0.200 +0.000	6.3 +0.200 +0.000
MKR-115X130.5X5.9V	115	130.5	5.9	115 -0.036 -0.090	130.5 +0.200 +0.000	6.3 +0.200 +0.000
MKR-120X135.5X5.9V	120	135.5	5.9	120 -0.036 -0.090	135.5 +0.200 +0.000	6.3 +0.200 +0.000
MKR-130X145.5X5.9V	130	145.5	5.9	130 -0.043 -0.106	145.5 +0.200 +0.000	6.3 +0.200 +0.000
MKR-140X155.5X5.9V	140	155.5	5.9	140 -0.043 -0.106	155.5 +0.200 +0.000	6.3 +0.200 +0.000
MKR-150X165.5X5.9V	150	165.5	5.9	150 -0.043 -0.106	165.5 +0.200 +0.000	6.3 +0.200 +0.000
MKR-160X175.5X5.9V	160	175.5	5.9	160 -0.043 -0.106	175.5 +0.200 +0.000	6.3 +0.200 +0.000
MKR-170X185.5X5.9V	170	185.5	5.9	170 -0.043 -0.106	185.5 +0.200 +0.000	6.3 +0.200 +0.000

SELLOS BUFFER

SELLOS AMORTIGUADORES ESTILO MNBR

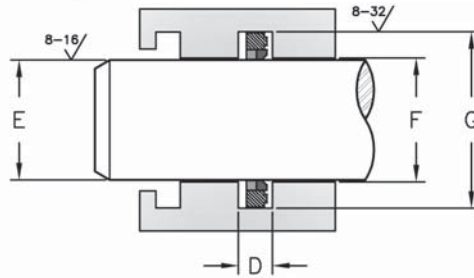
Este sello, moldeado en PTFE con un energizador de caucho y un anillo antiextrusión de NILÓN, absorbe el choque de los picos de presión para proteger el sello de vástago.



HERCULES N° DE PARTES

MNBR - 55 X 70.5 X 5.9

Tipo de Sello Diámetro Interno Diámetro Externo Altura



INFORMACIÓN DEL SELLO

MATERIAL	BUFFER PTFE / NILÓN ACTIVADOR DE NITRILO 70
RANGO DE TEMPERATURA	-40° a +104° C
RANGO DE PRESIÓN	0 a 5,000 PSI
VELOCIDAD	3 Pie/Seg

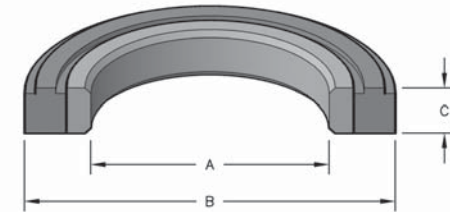
N° de Parte	A Nom. DI	B Nom. DE	C Nom. A	E Rod Diámetro	G Housing Diámetro	D Ancho de la Ranura
MNBR-55X70.5X5.9	55	70.5	5.9	55 -0.030 -0.076	70.5 +0.074 0.000	6.3 +0.200 0.000
MNBR-60X75.5X5.9	60	75.5	5.9	60 -0.030 -0.076	75.5 +0.074 0.000	6.3 +0.200 0.000
MNBR-65X80.5X5.9	65	80.5	5.9	65 -0.030 -0.076	80.5 +0.087 0.000	6.3 +0.200 0.000
MNBR-70X85.5X5.9	70	85.5	5.9	70 -0.030 -0.076	85.5 +0.087 0.000	6.3 +0.200 0.000
MNBR-75X90.5X5.9	75	90.5	5.9	75 -0.030 -0.076	90.5 +0.087 0.000	6.3 +0.200 0.000
MNBR-80X95.5X5.9	80	95.5	5.9	80 -0.030 -0.076	95.5 +0.087 0.000	6.3 +0.200 0.000
MNBR-85X100.5X5.9	85	100.5	5.9	85 -0.036 -0.090	100.5 +0.087 0.000	6.3 +0.200 0.000
MNBR-90X105.5X5.9	90	105.5	5.9	90 -0.036 -0.090	105.5 +0.087 0.000	6.3 +0.200 0.000
MNBR-95X110.5X5.9	95	110.5	5.9	95 -0.036 -0.090	110.5 +0.087 0.000	6.3 +0.200 0.000
MNBR-100X115.5X5.9	100	115.5	5.9	100 -0.036 -0.090	115.5 +0.087 0.000	6.3 +0.200 0.000
MNBR-105X120.5X5.9	105	120.5	5.9	105 -0.036 -0.090	120.5 +0.100 0.000	6.3 +0.200 0.000
MNBR-110X125.5X5.9	110	125.5	5.9	110 -0.036 -0.090	125.5 +0.100 0.000	6.3 +0.200 0.000
MNBR-115X130.5X5.9	115	130.5	5.9	115 -0.036 -0.090	130.5 +0.100 0.000	6.3 +0.200 0.000
MNBR-120X135.5X5.9	120	135.5	5.9	120 -0.036 -0.090	135.5 +0.100 0.000	6.3 +0.200 0.000
MNBR-125X140.5X5.9	125	140.5	5.9	125 -0.043 -0.106	140.5 +0.100 0.000	6.3 +0.200 0.000

El color del sello puede variar. Medidas especiales están disponibles. Por favor comunicarse con su representante de ventas para asistencia inmediata.

SELLOS AMORTIGUADORES ESTILO MSBR



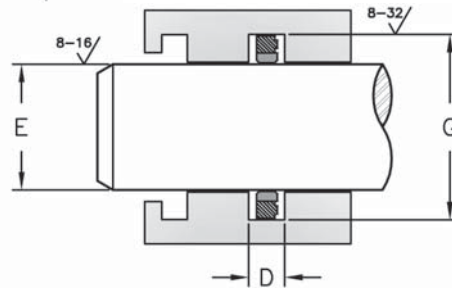
Este sello, moldeado en nilón con un energizador de caucho, absorbe el choque de los picos de presión y alivia la contrapresión por medio de ranuras del lado de la presión del energizador.



HERCULES N° DE PARTES

MSBR - 70 X 80 X 6.3

Tipo de Sello Diámetro Interno Diámetro Externo Altura



INFORMACIÓN DEL SELLO

MATERIAL	BUFFER DE NILÓN ACTIVADOR DE NITRILO 70
RANGO DE TEMPERATURA	-40° a +104° C
RANGO DE PRESIÓN	0 a 5,000 PSI
VELOCIDAD	3 Pie/Seg

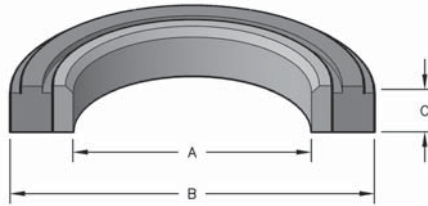
SELLOS BUFFER

N° de Parte	A Nom. DI	B Nom. DE	C Nom. A	E Rod Diámetro	G Housing Diámetro	D Ancho de la Ranura	Precio de Lista
MSBR-70X80X6.3	70	80	5.9	70 -0.030 -0.076	80 +0.074 0.000	6.3 +0.200 0.000	\$ 21.10
MSBR-75X85X6.3	75	85	5.9	75 -0.030 -0.076	85 +0.087 0.000	6.3 +0.200 0.000	22.43
MSBR-80X90X6.3	80	90	5.9	80 -0.030 -0.076	90 +0.087 0.000	6.3 +0.200 0.000	23.76
MSBR-85X95X6.3	85	95	5.9	85 -0.036 -0.090	95 +0.087 0.000	6.3 +0.200 0.000	25.06
MSBR-90X100X6.3	90	100	5.9	90 -0.036 -0.090	100 +0.087 0.000	6.3 +0.200 0.000	26.40
MSBR-95X105X6.3	95	105	5.9	95 -0.036 -0.090	105 +0.087 0.000	6.3 +0.200 0.000	27.72
MSBR-100X110X6.3	100	110	5.9	100 -0.036 -0.090	110 +0.087 0.000	6.3 +0.200 0.000	30.33
MSBR-110X120X6.3	110	120	5.9	110 -0.036 -0.090	120 +0.087 0.000	6.3 +0.200 0.000	32.96

El color del sello puede variar. Medidas especiales estan disponibles. Por favor comunicarse con su representante de ventas para asistencia inmediata.

SELLOS AMORTIGUADORES ESTILO MYBR

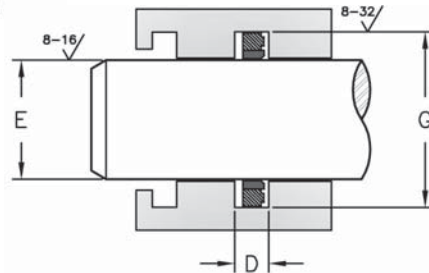
Este sello, moldeado en PTFE con un energizador de caucho, absorbe el choque de los picos de presión para proteger el sello de vástago. Este estilo alivia la contrapresión por medio de ranuras en el lado de la presión del energizador.



HERCULES N° DE PARTES

MYBR - 40 X 55.5 X 5.9

Tipo de Sello Diámetro Interno Diámetro Externo Altura



INFORMACIÓN DEL SELLO

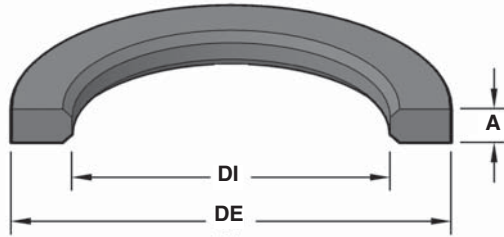
MATERIAL	BUFFER RELLENO DE PTFE ACTIVADOR DE NITRILO 70
RANGO DE TEMPERATURA	-40° a +104° C
RANGO DE PRESIÓN	0 a 5,000 PSI
VELOCIDAD	12 Pie/Seg

SELLOS BUFFER

N° de Parte	A Nom. DI	B Nom. DE	C Nom. A	E Rod Diameter	G Housing Diameter	D Ancho de la Ranura
MYBR-40X55.5X5.9	40	55.5	5.9	40 ^{-0.025} _{-0.064}	55.5 ^{+0.074} _{0.000}	6.3 ^{+0.200} _{0.000}
MYBR-45X60.5X5.9	45	60.5	5.9	45 ^{-0.025} _{-0.064}	60.5 ^{+0.074} _{0.000}	6.3 ^{+0.200} _{0.000}
MYBR-55X70.5X5.9	55	70.5	5.9	55 ^{-0.030} _{-0.076}	70.5 ^{+0.074} _{0.000}	6.3 ^{+0.200} _{0.000}
MYBR-60X75.5X5.9	60	75.5	5.9	60 ^{-0.030} _{-0.076}	75.5 ^{+0.074} _{0.000}	6.3 ^{+0.200} _{0.000}
MYBR-65X80.5X5.9	65	80.5	5.9	65 ^{-0.030} _{-0.076}	80.5 ^{+0.087} _{0.000}	6.3 ^{+0.200} _{0.000}
MYBR-70X85.5X5.9	70	85.5	5.9	70 ^{-0.030} _{-0.076}	85.5 ^{+0.087} _{0.000}	6.3 ^{+0.200} _{0.000}
MYBR-75X90.5X5.9	75	90.5	5.9	75 ^{-0.030} _{-0.076}	90.5 ^{+0.087} _{0.000}	6.3 ^{+0.200} _{0.000}
MYBR-80X95.5X5.9	80	95.5	5.9	80 ^{-0.030} _{-0.076}	95.5 ^{+0.087} _{0.000}	6.3 ^{+0.200} _{0.000}
MYBR-85X100.5X5.9	85	100.5	5.9	85 ^{-0.036} _{-0.090}	100.5 ^{+0.087} _{0.000}	6.3 ^{+0.200} _{0.000}
MYBR-90X105.5X5.9	90	105.5	5.9	90 ^{-0.036} _{-0.090}	105.5 ^{+0.087} _{0.000}	6.3 ^{+0.200} _{0.000}
MYBR-95X110.5X5.9	95	110.5	5.9	95 ^{-0.036} _{-0.090}	110.5 ^{+0.087} _{0.000}	6.3 ^{+0.200} _{0.000}
MYBR-100X115.5X5.9	100	115.5	5.9	100 ^{-0.036} _{-0.090}	115.5 ^{+0.087} _{0.000}	6.3 ^{+0.200} _{0.000}
MYBR-105X120.5X5.9	105	120.5	5.9	105 ^{-0.036} _{-0.090}	120.5 ^{+0.100} _{0.000}	6.3 ^{+0.200} _{0.000}
MYBR-110X125.5X5.9	110	125.5	5.9	110 ^{-0.036} _{-0.090}	125.5 ^{+0.100} _{0.000}	6.3 ^{+0.200} _{0.000}
MYBR-115X130.5X5.9	115	130.5	5.9	115 ^{-0.036} _{-0.090}	130.5 ^{+0.100} _{0.000}	6.3 ^{+0.200} _{0.000}
MYBR-120X135.5X5.9	120	135.5	5.9	120 ^{-0.036} _{-0.090}	135.5 ^{+0.100} _{0.000}	6.3 ^{+0.200} _{0.000}
MYBR-130X145.5X5.9	130	145.5	5.9	130 ^{-0.043} _{-0.106}	145.5 ^{+0.100} _{0.000}	6.3 ^{+0.200} _{0.000}

SELLOS AMORTIGUADORES ESTILO MIR

Moldeado en poliuretano, este sello amortiguador tiene un perfil chato y simple, similar al de una arandela.



HERCULES N° DE PARTES

MIR - 25 X 33.6 X 2.3

Tipo de Sello Diámetro Interno Diámetro Externo Altura

G2 = Vidrio / PTFE

INFORMACIÓN DEL SELLO

MATERIAL	URETANO
RANGO DE TEMPERATURA	-54° a 104° C
RANGO DE PRESIÓN	0 a 5,000 PSI
VELOCIDAD	3 Pie/Seg

N° de Parte
MIR-25X33.6X2.3
MIR-30X41X2.9
MIR-35X46X2.9
MIR-35X48X3
MIR-40X48X3
MIR-50X55.5X3.4-G2

N° de Parte
MIR-50X58X2.9
MIR-50X62X3
MIR-50X62.6X4
MIR-56X68.6X4
MIR-56X70X3
MIR-56X73X4.8

N° de Parte
MIR-63X80X4.7
MIR-65X78X4
MIR-70X83X4
MIR-70X83.5X3
MIR-70X84X3
MIR-75X88X4

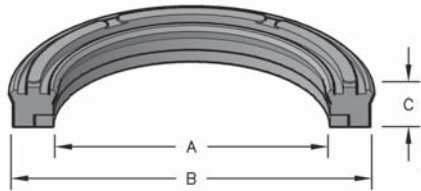
N° de Parte
MIR-80X93X4
MIR-90X104X4
MIR-100X113X4

SELLOS BUFFER

El color del sello puede variar. Medidas especiales estan disponibles. Medidas no ofrecidas en el catálogo pueden también ser ordenadas para entrega al siguiente día a través de nuestro programa de sellos especiales. Por favor comunicarse con su representante de ventas para asistencia inmediata.

SELLOS AMORTIGUADORES ESTILO MBRW

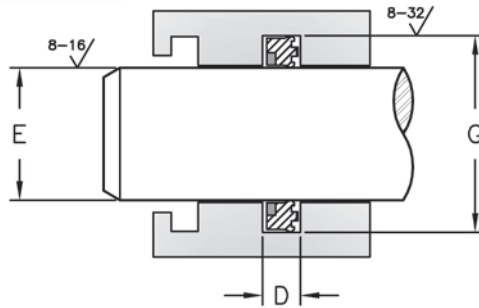
Este sello de vástago compacto se utiliza principalmente como un sello amortiguador y se suele encontrar en cilindros de maquinaria para la construcción. Fue desarrollado para ser utilizado bajo extrema presión y con picos frecuentes de presión de hasta 14000 psi.



HERCULES N° DE PARTES

MBRW - 60 X 75 X 8.5

Tipo de Sello Diámetro Interno Diámetro Externo Altura



INFORMACIÓN DEL SELLO

MATERIAL	URETANO 93A
RANGO DE TEMPERATURA	-30 - +230° F
RANGO DE PRESIÓN	0 a 7200 PSI
VELOCIDAD	1.5 Pie/Seg

N° de Parte	A Nom. DI	B Nom. DE	C Nom. A	E Rod Diámetro	G Housing	D Ancho de la Ranura
MBRW-60X75X8.5	60	75	8.5	60 -0.030 -0.060	75 +0.190 +0.000	9.5 +0.200 +0.000
MBRW-70X85X8.5	70	85	8.5	70 -0.030 -0.060	85 +0.220 +0.000	9.5 +0.200 +0.000
MBRW-80X95X8.5	80	95	8.5	80 -0.030 -0.060	95 +0.220 +0.000	9.5 +0.200 +0.000
MBRW-90X105X8.5	90	105	8.5	90 -0.036 -0.071	105 +0.220 +0.000	9.5 +0.200 +0.000
MBRW-100X120X11.4	100	120	11.4	100 -0.036 -0.071	120 +0.220 +0.000	12.5 +0.200 +0.000
MBRW-120X140X11.4	120	140	11.4	120 -0.036 -0.071	140 +0.250 +0.000	12.5 +0.200 +0.000
MBRW-130X150X14.5	130	150	14.5	130 -0.043 -0.083	150 +0.250 +0.000	16 +0.200 +0.000
MBRW-140X160X14.5	140	160	14.5	140 -0.043 -0.083	160 +0.250 +0.000	16 +0.200 +0.000
MBRW-160X180X14.5	160	180	14.5	160 -0.043 -0.083	180 +0.250 +0.000	16 +0.200 +0.000
MBRW-170X195X14.5	170	195	14.5	170 -0.043 -0.083	195 +0.290 +0.000	16 +0.200 +0.000
MBRW-180X205X14.5	180	205	14.5	180 -0.043 -0.083	205 +0.290 +0.000	16 +0.200 +0.000
MBRW-200X225X14.5	200	225	14.5	200 -0.050 -0.096	225 +0.290 +0.000	16 +0.200 +0.000