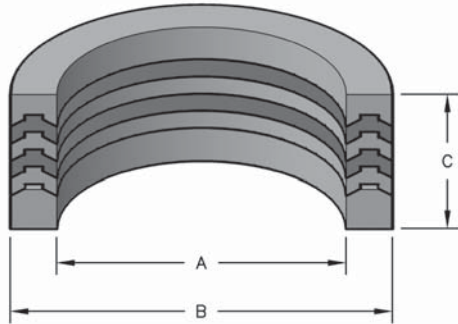


SETS DE JUEGOS DE SELLOS EN V HYDROLOCK

Estos sets de juegos en V utilizan V de nylon y hytrel para trabajar con presiones de entre 0 y 6.000 psi, y ofrecen una excelente resistencia a la extrusión. Los rodamientos macho y hembra están moldeados con nylon con carga de fibra de vidrio. NOTA: estos sets de juegos en V no contienen rodamientos retenedores. Se venden por separado, tal como se muestra en la siguiente página.



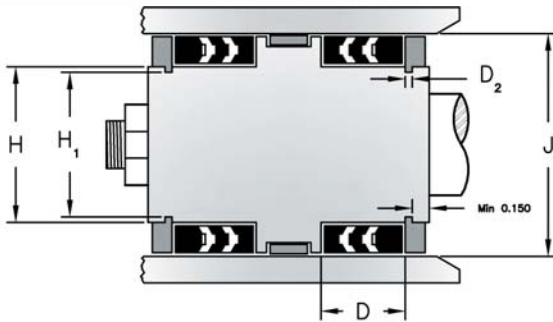
HERCULES N° DE PARTES

HDLV 1741 - 275 - 100FB

Tipo de Sello # de Anillos V Diámetro Externo Altura del Cojinete

FB= COJINETE HEMBRA

1740 = 3 ANILLOS V
1741 = 4 ANILLOS V
1742 = 5 ANILLOS V



INFORMACIÓN DEL SELLO

MATERIAL	HYTREL & NILÓN
RANGO DE TEMPERATURA	-40° a +104° C
RANGO DE PRESIÓN	0 a 6,000 PSI
VELOCIDAD	1.5 Pie/Seg
N° de Parte	(Prefijo)-(# de Anillos)-(D.E)-(Altura del Cojinete)

EMPAQUES "V"

N° DE PARTE PRC	A Nom. D.I.	B Nom. D.E.	C Nom. A	D Ancho Ranura	H GROOVE Diámetro	J BORE Diámetro	H1	D2
HDLV-1740-350	3.000	3-1/2	3/4	0.75 ±0.005	3.000 +0/-0.005	3.500 +0.01/0	2.750	0.252/0.257
HDLV-1740-400	3-1/2	4	3/4	0.750 ±0.005	3.500 +0/-0.005	4.000 +0.01/0	3.250	0.377/0.382
HDLV-1740-500	4-1/2	5	3/4	0.750 ±0.005	4.500 +0/-0.005	5.000 +0.01/0	4.125	0.377/0.382
HDLV-1740-600	5-1/2	6	3/4	0.750 ±0.005	5.500 +0/-0.005	6.000 +0.01/0	5.125	0.377/0.382
HDLV-1740-627	5-3/4	6.265	3/4	0.750 ±0.005	5.750 +0/-0.005	6.265 +0.01/0	N/A	N/A
HDLV-1741-175	1-1/4	1-3/4	0.82	0.820 ±0.005	1.250 +0/-0.005	1.750 +0.01/0	N/A	N/A
HDLV-1741-275-100FB	2-1/4	2-3/4	1-5/8	1.625 ±0.005	2.250 +0/-0.005	2.750 +0.01/0	2.000	0.252/0.257
HDLV-1741-300-050FB	2-1/2	3	1-1/8	1.125 ±0.005	2.500 +0/-0.005	3.000 +0.01/0	2.250	0.252/0.257
HDLV-1741-350-050FB	3	3-1/2	1-1/8	1.125 ±0.005	3.000 +0/-0.005	3.500 +0.01/0	2.750	0.252/0.257
HDLV-1741-400-050FB	3-1/2	4	1-1/8	1.125 ±0.005	3.500 +0/-0.005	4.000 +0.01/0	3.250	0.377/0.382
HDLV-1741-425-100FB	3-3/4	4-1/4	1-5/8	1.625 ±0.005	3.750 +0/-0.005	4.250 +0.01/0	3.500	0.377/0.382
HDLV-1741-450-050FB	4	4-1/2	1-1/8	1.125 ±0.005	4.000 +0/-0.005	4.500 +0.01/0	3.750	0.377/0.382
HDLV-1741-500	4-1/2	5	7/8	0.875 ±0.005	4.500 +0/-0.005	5.000 +0.01/0	4.125	0.377/0.382
HDLV-1741-500-050FB	4-1/2	5	1-1/8	1.125 ±0.005	4.500 +0/-0.005	5.000 +0.01/0	4.125	0.377/0.382
HDLV-1741-500-075FB	4-1/2	5	1-3/8	1.375 ±0.005	4.500 +0/-0.005	5.000 +0.01/0	4.125	0.377/0.382
HDLV-1741-600-050FB	5-1/2	6	1-1/8	1.125 ±0.005	5.500 +0/-0.005	6.000 +0.01/0	5.125	0.377/0.382
HDLV-1741-725	6-3/4	7-1/4	7/8	0.875 ±0.005	6.750 +0/-0.005	7.250 +0.01/0	N/A	N/A
HDLV-1742-200	1-1/2	2	1	1.000 ±0.005	1.500 +0/-0.005	2.000 +0.01/0	1.375	0.252/0.257
HDLV-1742-225	1-3/4	2-1/4	1	1.000 ±0.005	1.750 +0/-0.005	2.250 +0.01/0	1.500	0.252/0.257
HDLV-1742-250	2	2-1/2	1	1.000 ±0.005	2.000 +0/-0.005	2.500 +0.01/0	1.750	0.252/0.257

SETS DE JUEGOS DE SELLOS EN V HYDROLOCK



EMPAQUES "V"

N° DE PARTE PRC	A Nom. D.I.	B Nom. D.E.	C Nom. A	D Ancho Ranura	H GROOVE Diámetro	J BORE Diámetro	H1	D2
HDLV-1742-250-100FB	2	2-1/2	1-3/4	1.750 ±0.005	2.000 +0/-0.005	2.500 +0.01/0	1.750	0.252/0.257
HDLV-1742-275	2-1/4	2-3/4	1	1.000 ±0.005	2.250 +0/-0.005	2.750 +0.01/0	2.000	0.252/0.257
HDLV-1742-275-100FB	2-1/4	2-3/4	1-3/4	1.750 ±0.005	2.250 +0/-0.005	2.750 +0.01/0	2.000	0.252/0.257
HDLV-1742-300	2-1/2	3	1	1.000 ±0.005	2.500 +0/-0.005	3.000 +0.01/0	2.250	0.252/0.257
HDLV-1742-300-100FB	2-1/2	3	1-3/4	1.750 ±0.005	2.500 +0/-0.005	3.000 +0.01/0	2.250	0.252/0.257
HDLV-1742-312-100FB	2-1/2	3-1/8	1-11/16	1.687 ±0.005	2.500 +0/-0.005	3.125 +0.01/0	N/A	N/A
HDLV-1742-325	2-3/4	3-1/4	1	1.000 ±0.005	2.750 +0/-0.005	3.250 +0.01/0	2.500	0.252/0.257
HDLV-1742-325-100FB	2-3/4	3-1/4	1-3/4	1.750 ±0.005	2.750 +0/-0.005	3.250 +0.01/0	2.500	0.252/0.257
HDLV-1742-350	3	3-1/2	1	1.000 ±0.005	3.000 +0/-0.005	3.500 +0.01/0	2.750	0.252/0.257
HDLV-1742-350-100FB	3	3-1/2	1-3/4	1.750 ±0.005	3.000 +0/-0.005	3.500 +0.01/0	2.750	0.252/0.257
HDLV-1742-375	3-1/4	3-3/4	1	1.000 ±0.005	3.250 +0/-0.005	3.750 +0.01/0	3.000	0.252/0.257
HDLV-1742-400	3-1/2	4	1	1.000 ±0.005	3.500 +0/-0.005	4.000 +0.01/0	3.250	0.377/0.382
HDLV-1742-400-100FB	3-1/2	4	1-3/4	1.750 ±0.005	3.500 +0/-0.005	4.000 +0.01/0	3.250	0.377/0.382
HDLV-1742-450	4	4-1/2	1	1.000 ±0.005	4.000 +0/-0.005	4.500 +0.01/0	3.750	0.377/0.382
HDLV-1742-450-100FB	4	4-1/2	1-3/4	1.750 ±0.005	4.000 +0/-0.005	4.500 +0.01/0	3.750	0.377/0.382
HDLV-1742-500	4-1/2	5	1	1.000 ±0.005	4.500 +0/-0.005	5.000 +0.01/0	4.125	0.377/0.382
HDLV-1742-500-100FB	4-1/2	5	1-3/4	1.750 ±0.005	4.500 +0/-0.005	5.000 +0.01/0	4.125	0.377/0.382
HDLV-1742-550	5	5-1/2	1	1.000 ±0.005	5.000 +0/-0.005	5.500 +0.01/0	4.625	0.377/0.382
HDLV-1742-550-050FB	5	5-1/2	1-1/4	1.250 ±0.005	5.000 +0/-0.005	5.500 +0.01/0	4.625	0.377/0.382
HDLV-1742-600	5-1/2	6	1	1.000 ±0.005	5.500 +0/-0.005	6.000 +0.01/0	5.125	0.377/0.382
HDLV-1742-600-100FB	5-1/2	6	1-3/4	1.750 ±0.005	5.500 +0/-0.005	6.000 +0.01/0	5.125	0.377/0.382
HDLV-1742-650	6	6-1/2	1	1.000 ±0.005	6.000 +0/-0.005	6.500 +0.01/0	5.625	0.377/0.382
HDLV-1742-650-050FB	6	6-1/2	1-1/4	1.250 ±0.005	6.000 +0/-0.005	6.500 +0.01/0	5.625	0.377/0.382
HDLV-1742-650-100FB	6	6-1/2	1-3/4	1.750 ±0.005	6.000 +0/-0.005	6.500 +0.01/0	5.625	0.377/0.382
HDLV-1742-700	6-1/2	7	1	1.000 ±0.005	6.500 +0/-0.005	7.000 +0.01/0	6.125	0.377/0.382
HDLV-1742-700-100FB	6-1/2	7	1-3/4	1.750 ±0.005	6.500 +0/-0.005	7.000 +0.01/0	6.125	0.377/0.382
HDLV-1742-750	7	7-1/2	1	1.000 ±0.005	7.000 +0/-0.005	7.500 +0.01/0	6.625	0.377/0.382
HDLV-1742-750-100FB	7	7-1/2	1-3/4	1.750 ±0.005	7.000 +0/-0.005	7.500 +0.01/0	6.625	0.377/0.382
HDLV-1742-800	7-1/2	8	1	1.000 ±0.005	7.500 +0/-0.005	8.000 +0.01/0	7.125	0.377/0.382
HDLV-1742-800-100FB	7-1/2	8	1-3/4	1.750 ±0.005	7.500 +0/-0.005	8.000 +0.01/0	7.125	0.377/0.382
HDLV-1742-850-100FB	8	8-1/2	1-3/4	1.750 ±0.005	8.000 +0/-0.005	8.500 +0.01/0	7.625	0.377/0.382
HDLV-1742-900	8-1/2	9	1	1.000 ±0.005	8.500 +0/-0.005	9.000 +0.01/0	8.125	0.377/0.382
HDLV-1742-900-100FB	8-1/2	9	1-3/4	1.750 ±0.005	8.500 +0/-0.005	9.000 +0.01/0	8.125	0.377/0.382
HDLV-275-200-175	2	2-3/4	1-3/4	1.750 ±0.005	2.000 +0/-0.005	2.750 +0.01/0	N/A	N/A
HDLV-300-250-082	2-1/2	3	13/16	0.813 ±0.005	2.500 +0/-0.005	3.000 +0.01/0	N/A	N/A
HDLV-300-250-087	2-1/2	3	7/8	0.875 ±0.005	2.500 +0/-0.005	3.000 +0.01/0	N/A	N/A
HDLV-350-300-082	3	3-1/2	13/16	0.813 ±0.005	3.000 +0/-0.005	3.500 +0.01/0	N/A	N/A
HDLV-375-300-175	3	3-3/4	1-3/4	1.750 ±0.005	3.000 +0/-0.005	3.750 +0.01/0	N/A	N/A
HDLV-425-350-087	3-1/2	4-1/4	7/8	0.875 ±0.005	3.500 +0/-0.005	4.250 +0.01/0	N/A	N/A
HDLV-450-400-082	4	4-1/2	13/16	0.813 ±0.005	4.000 +0/-0.005	4.500 +0.01/0	N/A	N/A
HDLV-503-402-152	4.02	5.03	1.527	1.527 ±0.005	4.020 +0/-0.005	5.030 +0.01/0	N/A	N/A



SETS DE JUEGOS DE SELLOS EN V HYDROLOCK

N° DE PARTE PRC	A Nom. D.I.	B Nom. D.E.	C Nom. A	D Ancho Ranura	H GROOVE Diámetro	J BORE Diámetro	H1	D2
HDLV-550-500-082	5	5-1/2	13/16	0.813 ±0.005	5.000 +0/-0.005	5.500 +0.01/0	N/A	N/A
HDLV-603-503-150	5.03	6.03	1-1/2	1.500 ±0.005	5.030 +0/-0.005	6.030 +0.01/0	N/A	N/A
HDLV-703-603-150	6.03	7.03	1-1/2	1.500 ±0.005	6.030 +0/-0.005	7.030 +0.01/0	N/A	N/A
HDLV-800-080	7-1/2	8	0.8	0.800 ±0.005	7.500 +0/-0.005	8.000 +0.01/0	7.125	0.377/0.382

EMPAQUES "V"

RODAMIENTOS PARA PISTONES CON RETENEDOR



Estos rodamientos con corte escalonado están fabricados en nylon con carga de fibra de vidrio y actúan también como retenedores para los sets de juegos en V Hydrolock. Están disponibles con el siguiente diámetro interior.

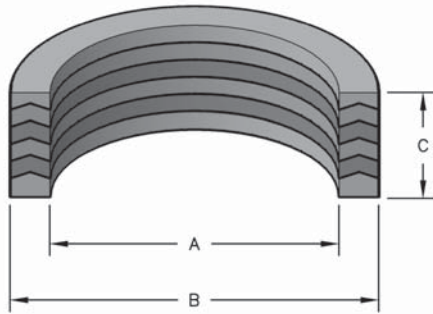
N° de Parte	Bore Size
HDLG-200	2
HDLG-250	2-1/2
HDLG-300	3
HDLG-350	3-1/2
HDLG-400	4
HDLG-450	4-1/2
HDLG-500	5
HDLG-550	5-1/2

N° de Parte	Bore Size
HDLG-600	6
HDLG-627	6.265
HDLG-650	6-1/2
HDLG-700	7
HDLG-750	7-1/2
HDLG-800	8
HDLG-900	9

EMPAQUES "V"

SETS DE JUEGOS DE EMPAQUES EN V

Nuestros sets de juegos en V son de la mejor calidad disponible en la industria. Si bien todos los juegos incorporan anillos de presión de caucho reforzado con tela, se incluyen uno o dos anillos de uretano para mejorar el sellado a baja presión, cuando es posible. La mayoría de los juegos utilizan adaptadores de nylon. Los límites de presión, cuando están correctamente instalados, son los siguientes:



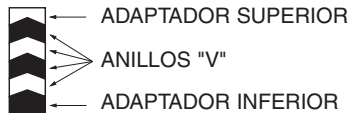
HERCULES N° de Partes

VS 037 03 X 075
 Type of Seal Inside Diameter Sección Transversal Altura

3,000 PSI = 4 ANILLOS V
 5,000 PSI = 5 ANILLOS V
 10,000 PSI = 6 ANILLOS V

Código de Construcción Ejemplo: 1-0-4-1

1 - 1 Adaptador Superior
 0 - 0 Anillos Uretano "V"
 4 - 4 Anillos de Tela "V"
 1 - 1 Adaptador Inferior



INFORMACIÓN DEL SELLO

MATERIAL	CAUCHO REFORZADO DE TELA ANILLO DE URETANO / ADAPTADORES DE NYLÓN
RANGO DE TEMPERATURA	-37° a +104° C
RANGO DE PRESIÓN	0 a 10,000 PSI
VELOCIDAD	1.5 Pie/Seg

U= URETANO ESPECIAL V
 H= HYTREL

EMPAQUES "V"

N° de Parte	Construcción T-U-F-B	A - D.I.	B - D.E.	C - A
VS03703X075	1-0-4-1	3/8	3/4	3/4
VS03704X050	1-0-1-1	3/8	7/8	1/2
VS05003X062	1-0-3-1	1/2	7/8	5/8
VS05004X075	1-0-3-1	1/2	1	3/4
VS05004X087	1-0-4-1	1/2	1	7/8
VS06203X082	1-0-4-1	5/8	1	13/16
VS06204X100	1-0-5-1	5/8	1-1/8	1
VS06205X125	1-0-5-1	5/8	1-1/4	1-1/4
VS07503X075	1-0-3-1	3/4	1-1/8	3/4
VS07503X082	1-0-6-1	3/4	1-1/8	13/16
VS07504X068	1-0-2-1	3/4	1/1/4	11/16
VS07504X100	1-0-5-1	3/4	1-1/4	1
VS07505X103	1-0-4-1	3/4	1-3/8	1-1/32
VS07506X112	1-0-3-1	3/4	1-1/2	1-1/8
VS08104X087	1-0-4-1	13/16	1-5/16	7/8
VS08703X075	1-0-3-1	7/8	1-1/4	3/4
VS08704X075	1-0-3-1	7/8	1-3/8	3/4
VS08704X100	1-0-4-1	7/8	1-3/8	1
VS08705X103	1-0-4-1	7/8	1-1/2	1-1/32
VS10003X095	1-2-3-1	1	1-3/8	61/64
VS10003X100	1-0-6-1	1	1-3/8	1
VS10004X075	1-0-3-1	1	1-1/2	3/4
VS10004X100	1-0-5-1	1	1-1/2	1
VS10004X112	1-0-6-1	1	1-1/2	1-1/8
VS10005X103	1-0-4-1	1	1-5/8	1-1/32
VS10006X100	1-0-3-1	1	1-3/4	1

N° de Parte	Construcción T-U-F-B	A - D.I.	B - D.E.	C - A
VS10604X100	1-0-5-1	1-1/16	1-9/16	1
VS11204X087	1-0-4-1	1-1/8	1-5/8	7/8
VS11205X103	1-0-4-1	1-1/8	1-3/4	1-1/32
VS11803X125	1-0-6-1	1-3/16	1-9/16	1-1/4
VS11804X087	1-0-4-1	1-3/16	1-11/16	7/8
VS12504X075	1-0-3-1	1-1/4	1-3/4	3/4
VS12504X082	1-2-2-1	1-1/4	1-3/4	.820
VS12504X100	1-0-5-1	1-1/4	1-3/4	1
VS12504X112	1-0-6-1	1-1/4	1-3/4	1-1/8
VS12505X103	1-0-4-1	1-1/4	1-7/8	1-1/32
VS12506X100	1-1-2-1	1-1/4	2	1
VS12508X100	1-0-2-1	1-1/4	2-1/4	1
VS12508X150	1-0-4-1	1-1/4	2-1/4	1-1/2
VS13703X106	1-0-6-1	1-3/8	1-3/4	1-1/16
VS13704X075	1-0-3-1	1-3/8	1-7/8	3/4
VS13704X100	1-2-3-1	1-3/8	1-7/8	1
VS13705X103	1-0-4-1	1-3/8	2	1-1/32
VS13706X125	1-0-4-1	1-3/8	2-1/8	1-1/4
VS15003X082	1-2-3-1	1-1/2	1-7/8	.820
VS15004X082	1-0-4-1	1-1/2	2	.820
VS15004X087	1-1-3-1	1-1/2	2	7/8
VS15004X100	1-2-3-1	1-1/2	2	1
VS15004X112	1-2-4-1	1-1/2	2	1-1/8
VS15004X125	1-0-7-1	1-1/2	2	1-1/4
VS15005X103	1-2-2-1	1-1/2	2-1/8	1.031
VS15005X118	1-0-5-1	1-1/2	2-1/8	1-3/16

SETS DE JUEGOS DE EMPAQUES EN V



N° de Parte	Construcción T-U-F-B	A - D.I.	B - D.E.	C - A
VS15006X100	1-0-3-1	1-1/2	2-1/4	1
VS15007X175	1-0-5-1	1-1/2	2-3/8	1-3/4
VS15008X125	1-1-2-1	1-1/2	2-1/2	1-1/4
VS15008X150	1-2-2-1	1-1/2	2-1/2	1-1/2
VS16204X075	1-3-0-1	1-5/8	2-1/8	3/4
VS16204X100	1-0-5-1	1-5/8	2-1/8	1
VS16204X112	1-0-6-1	1-5/8	2-1/8	1-1/8
VS16205X087	1-0-3-1	1-5/8	2-1/4	7/8
VS16205X103	1-0-4-1	1-5/8	2-1/4	1-1/32
VS17503X087	1-2-3-1	1-3/4	2-1/8	7/8
VS17504X082	1-1-3-1	1-3/4	2-1/4	.820
VS17504X087	1-1-3-1	1-3/4	2-1/4	7/8
VS17504X100	1-0-5-1	1-3/4	2-1/4	1
VS17504X112	1-2-4-1	1-3/4	2-1/4	1-1/8
VS17505X089	1-1-2-1	1-3/4	2-3/8	0.894
VS17505X103	1-2-2-1	1-3/4	2-3/8	1-1/32
VS17505X112	1-0-5-1	1-3/4	2-3/8	1-1/8
VS17505X118	1-0-5-1	1-3/4	2-3/8	1-3/16
VS17506X100	1-0-3-1	1-3/4	2-1/2	1
VS17506X111H	1-4H-1	1-3/4	2-1/2	1.11
VS17506X156	1-0-6-1	1-3/4	2-1/2	1-9/16
VS18704X112	1-0-6-1	1-7/8	2-3/8	1-1/8
VS18705X103	1-0-4-1	1-7/8	2-1/2	1-1/32
VS18706X112	1-0-4-1	1-7/8	2-5/8	1-1/8
VS19304X112	1-0-6-1	1-15/16	2-7/16	1-1/8
VS20003X075	1-2-2-1	2	2-3/8	3/4
VS20004X082	1-0-4-1	2	2-1/2	.820
VS20004X087	1-2-2-1	2	2-1/2	7/8
VS20004X100	1-2-3-1	2	2-1/2	1
VS20004X112	1-2-4-1	2	2-1/2	1-1/8
VS20005X087	1-0-3-1	2	2-5/8	7/8
VS20005X103	1-0-4-1	2	2-5/8	1-1/32
VS20006X100	1-1-2-1	2	2-3/4	1
VS20006X118	1-2-2-1	2	2-3/4	1-3/16
VS20006X137	1-2-3-1	2	2-3/4	1-3/8
VS20008X150	1-0-4-1	2	3	1-1/2
VS21204X087F	1-0-4-1	2-1/8	2-5/8	7/8
VS21205X103	1-0-4-1	2-1/8	2-3/4	1-1/32
VS21206X118	1-0-4-1	2-1/8	2-7/8	1-3/16
VS21206X137	1-0-5-1	2-1/8	2-7/8	1-3/8
VS21806X156	1-0-6-1	2-3/16	2-15/16	1-9/16
VS21806X3V	0-0-3-0	2-3/16	2-15/16	3 Veas
VS22504X082	1-1-3-1	2-1/4	2-3/4	.820
VS22504X100	1-2-3-1	2-1/4	2-3/4	1

N° de Parte	Construcción T-U-F-B	A - D.I.	B - D.E.	C - A
VS22505X103	1-0-4-1	2-1/4	2-7/8	1-1/32
VS22505X118	1-0-5-1	2-1/4	2-7/8	1-3/16
VS22506X100	1-0-3-1	2-1/4	3	1
VS22506X111H	1-4H-1	2-1/4	3	1.13
VS22508X150	1-0-4-1	2-1/4	3-1/4	1-1/2
VS23704X100	1-0-5-1	2-3/8	2-7/8	1
VS23705X103	1-0-4-1	2-3/8	3	1-1/32
VS23705X118	1-0-5-1	2-3/8	3	1-3/16
VS23706X125	1-0-4-1	2-3/8	3-1/8	1-1/4
VS25004X075	1-1-2-1	2-1/2	3	3/4
VS25004X082	1-0-4-1	2-1/2	3	.820
VS25004X087	1-1-3-1	2-1/2	3	7/8
VS25004X100	1-2-3-1	2-1/2	3	1
VS25004X112	1-2-4-1	2-1/2	3	1-1/8
VS25005X087	1-0-3-1	2-1/2	3-1/8	7/8
VS25005X118	1-2-3-1	2-1/2	3-1/8	1-3/16
VS25005X118U	1-1-3-1	2-1/2	3-1/8	1-3/16
VS25006X100	1-1-2-1	2-1/2	3-1/4	1
VS25006X102	1-1-2-1	2-1/2	3-1/4	1.02
VS25006X137	1-2-3-1	2-1/2	3-1/4	1-3/8
VS25008X125	1-0-3-1	2-1/2	3-1/2	1-1/4
VS26204X087	1-2-2-1	2-5/8	3-1/8	7/8
VS26204X137	1-0-7-1	2-5/8	3-1/8	1-3/8
VS26205X100	1-0-4-1	2-5/8	3-1/4	1.11
VS26206X118	1-0-3-1	2-5/8	3-3/8	1-3/16
VS27504X087	1-0-4-1	2-3/4	3-1/4	7/8
VS27504X100	1-1-4-1	2-3/4	3-1/4	1
VS27505X103	1-2-2-1	2-3/4	3-3/8	1-1/32
VS27506X100.	1-0-3-1	2-3/4	3-1/2	1
VS27506X111H	1-4H-1	2-3/4	3-1/2	1.15
VS27506X118	1-2-2-1	2-3/4	3-1/2	1-3/16
VS27506X150	1-3-3-1	2-3/4	3-1/2	1-1/2
VS27508X200	1-0-6-1	2-3/4	3-3/4	2
VS27706X100	1-0-3-1	2.775	3.525	1
VS27706X125	1-1-3-1	2.775	3.525	1-1/4
VS28704X100	1-0-4-1	2-7/8	3-3/8	1
VS30004X062	1-0-2-1	3	3-1/2	5/8
VS30004X087	1-0-4-1	3	3-1/2	7/8
VS30004X087U	1-1-3-1	3	3-1/2	7/8
VS30004X100	1-2-3-1	3	3-1/2	1
VS30004X112	1-2-4-1	3	3-1/2	1-1/8
VS30005X089	1-1-2-1	3	3-5/8	0.894
VS30005X103	1-0-4-1	3	3-5/8	1-1/32
VS30006X100	1-1-2-1	3	3-3/4	1

EMPAQUES "V"

SETS DE JUEGOS DE EMPAQUES EN V

EMPAQUES "V"

N° de Parte	Construcción T-U-F-B	A - D.I.	B - D.E.	C - A
VS30006X118	1-2-2-1	3	3-3/4	1-3/16
VS30006X137	1-2-3-1	3	3-3/4	1-3/8
VS30006X137U	1-1-3-1	3	3-3/4	1-3/8
VS30008X150	1-2-2-1	3	4	1-1/2
VS32504X082	1-0-4-1	3-1/4	3-3/4	.820
VS32504X100	1-0-5-1	3-1/4	3-3/4	1
VS32504X125	1-2-3-1	3-1/4	3-3/4	1-1/4
VS32505X100	1-0-4-1	3-1/4	3-7/8	1
VS32506X118	1-0-4-1	3-1/4	4	1-3/16
VS32506X137	1-0-5-1	3-1/4	4	1-3/8
VS32506X156	1-0-6-1	3-1/4	4	1-9/16
VS32508X150	1-2-2-1	3-1/4	4-1/4	1-1/2
VS32706X118	1-0-4-1	3.275	4.025	1.187
VS33704X100	1-0-5-1	3-3/8	3-7/8	1
VS33704X112	1-0-6-1	3-3/8	3-7/8	1-1/8
VS33705X087	1-0-3-1	3-3/8	4	7/8
VS33705X103	1-0-4-1	3-3/8	4	1-1/32
VS33706X100	1-0-3-1	3-3/8	4-1/8	1
VS33706X118	1-0-4-1	3-3/8	4-1/8	1-3/16
VS35004X075	1-1-2-1	3-1/2	4	3/4
VS35004X082	1-0-4-1	3-1/2	4	.820
VS35004X100	1-2-3-1	3-1/2	4	1
VS35004X150	1-3-6-1	3-1/2	4	1-1/2
VS35006X100	1-0-3-1	3-1/2	4-1/4	1
VS35006X118	1-2-2-1	3-1/2	4-1/4	1-3/16
VS35006X150	1-0-5-1	3-1/2	4-1/4	1-1/2
VS35008X125	1-0-3-1	3-1/2	4-1/2	1-1/4
VS35012X225	1-0-4-1	3-1/2	5	2-1/4
VS37504X082	1-0-4-1	3-3/4	4-1/4	.820
VS37504X100	1-2-3-1	3-3/4	4-1/4	1
VS37505X087	1-0-3-1	3-3/4	4-3/8	7/8
VS37505X106	1-2-2-1	3-3/4	4-3/8	1-1/16
VS37506X118	1-2-2-1	3-3/4	4-1/2	1-3/16
VS37506X137	1-2-3-1	3-3/4	4-1/2	1-3/8
VS38704X075	0-0-4-1	3-7/8	4-3/8	3/4
VS40004X100	1-2-3-1	4	4-1/2	1
VS40004X112	1-2-4-1	4	4-1/2	1-1/8
VS40006X118	1-2-2-1	4	4-3/4	1-3/16
VS40007X112	1-0-3-1	4	4-7/8	1-1/8
VS40007X131	1-0-4-1	4	4-7/8	1-5/16
VS40007X175	1-0-6-1	4	4-7/8	1-3/4
VS40008X131	1-1-2-1	4	5	1-5/16
VS40008X137	0-3-2-0	4	5	1-3/8
VS40008X156	1-2-2-1	4	5	1-9/16

N° de Parte	Construcción T-U-F-B	A - D.I.	B - D.E.	C - A
VS40606X100	1-0-3-1	4-1/16	4-13/16	1
VS42504X100	1-0-5-1	4-1/4	4-3/4	1
VS42504X125	1-3-4-1	4-1/4	4-3/4	1-1/4
VS42506X100	1-0-3-1	4-1/4	5	1
VS42506X150	1-0-5-1	4-1/4	5	1-1/2
VS42506X162	1-0-6-1	4-1/4	5	1-5/8
VS42507X150	1-0-5-1	4-1/4	5-1/8	1-1/2
VS42508X162	1-0-4-1	4-1/4	5-1/4	1-5/8
VS43704X100	1-0-5-1	4-3/8	4-7/8	1
VS45004X100	1-0-5-1	4-1/2	5	1
VS45005X137	1-0-6-1	4-1/2	5-1/8	1-3/8
VS45006X100	1-1-2-1	4-1/2	5-1/4	1
VS45006X150	1-0-6-1	4-1/2	5-1/4	1-1/2
VS45007X137	1-0-4-1	4-1/2	5-3/8	1-3/8
VS45008X125	1-0-3-1	4-1/2	5-1/2	1-1/4
VS46205X112	1-0-4-1	4-5/8	5-1/4	1
VS47504X087	1-0-4-1	4-3/4	5-1/4	7/8
VS47504X100	1-0-5-1	4-3/4	5-1/4	1
VS47506X118	1-2-2-1	4-3/4	5-1/2	1-3/16
VS47506X137	1-0-5-1	4-3/4	5-1/2	1-3/8
VS47506XXX	0-0-7-0	4-3/4	5-1/2	1-3/4
VS47507X150	1-0-5-1	4-3/4	5-5/8	1-1/2
VS50004X087	1-2-2-1	5	5-1/2	7/8
VS50004X100	1-2-3-1	5	5-1/2	1
VS50004X112	1-2-4-1	5	5-1/2	1-1/8
VS50005X103	1-0-4-1	5	5-5/8	1-1/32
VS50006X150	1-0-6-1	5	5-3/4	1-1/2
VS50007X131	1-0-4-1	5	5-7/8	1-5/16
VS50008X125	1-1-2-1	5	6	1-1/4
VS50008X175	1-2-3-1	5	6	1-3/4
VS51204X100	1-0-5-1	5-1/8	5-5/8	1
VS51204X112	1-0-6-1	5-1/8	5-5/8	1-1/8
VS52504X125	1-2-3-1	5-1/4	5-3/4	1-1/4
VS52506X118	1-0-4-1	5-1/4	6	1-3/16
VS52508X122	1-0-3-1	5-1/4	6-1/4	1.22
VS53707X150	1-0-5-1	5-3/8	6-1/4	1-1/2
VS55004X075	1-0-3-1	5-1/2	6	3/4
VS55004X100	1-0-5-1	5-1/2	6	1
VS55006X175	1-0-7-1	5-1/2	6-1/4	1-3/4
VS55008X125	1-0-3-1	5-1/2	6-1/2	1-1/4
VS55008X175	1-0-5-1	5-1/2	6-1/2	1-3/4
VS57504X100	1-0-5-1	5-3/4	6-1/4	1
VS57504X112	1-0-6-1	5-3/4	6-1/4	1-1/8
VS57506X100	1-0-3-1	5-3/4	6-1/2	1

SETS DE JUEGOS DE EMPAQUES EN V



N° de Parte	Construcción T-U-F-B	A - D.I.	B - D.E.	C - A
VS57506X137	1-0-5-1	5-3/4	6-1/2	1-3/8
VS57508X175	1-0-5-1	5-3/4	6-3/4	1-3/4
VS60004X100	1-2-3-1	6	6-1/2	1
VS60004X112	1-2-4-1	6	6-1/2	1-1/8
VS60006X100	1-1-2-1	6	6-3/4	1
VS60008X150	1-0-4-1	6	7	1-1/2
VS60010X175	1-0-4-1	6	7-1/4	1-3/4
VS62505X125	1-2-3-1	6-1/4	6-7/8	1-1/4
VS62506X118	1-0-4-1	6-1/4	7	1-3/16
VS65004X100	1-1-4-1	6-1/2	7	1
VS65006X137	1-0-5-1	6-1/2	7-1/4	1-3/8
VS65008X150	1-0-4-1	6-1/2	7-1/2	1-1/2
VS67504X100	1-0-5-1	6-3/4	7-1/4	1
VS67505X125	1-2-3-1	6-3/4	7-3/8	1-1/4
VS67506X118	1-0-4-1	6-3/4	7-1/2	1-3/16
VS70004X100	1-2-3-1	7	7-1/2	1
VS70004X112	1-2-4-1	7	7-1/2	1-1/8
VS70008X125	1-0-3-1	7	8	1-1/4
VS70008X200	1-3-3-1	7	8	2
VS72504X087	1-0-4-1	7-1/4	7-3/4	7/8
VS75004X100	1-2-3-1	7-1/2	8	1
VS75005X125	1-2-3-1	7-1/2	8-1/8	1-1/4

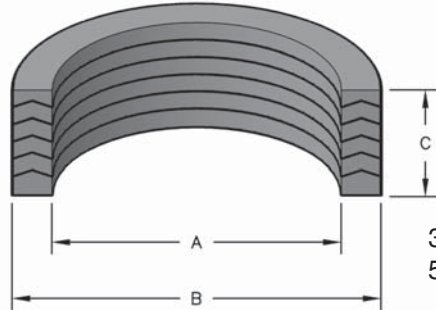
N° de Parte	Construcción T-U-F-B	A - D.I.	B - D.E.	C - A
VS75006X109	0-3-2-1	7-1/2	8-1/4	1-3/32
VS80004X075	1-1-2-1	8	8-1/2	3/4
VS80004X100	1-2-3-1	8	8-1/2	1
VS80006X118	1-0-4-1	8	8-3/4	1-3/16
VS80008X200	1-0-6-1	8	9	2
VS81204X112	1-1-5-1	8-1/8	8-5/8	1-1/8
VS82504X112	1-0-6-1	8-1/4	8-3/4	1-1/8
VS85004X100	1-2-3-1	8-1/2	9	1
VS85008X187	1-0-5-1	8-1/2	9-1/2	1-7/8
VS87505X125	1-0-6-1	8-3/4	9-3/8	1-1/4
VS90004X125	1-0-7-1	9	9-1/2	1-1/4
VS90008X187	1-0-5-1	9	10	1-7/8
VS95004X100	1-0-5-1	9-1/2	10	1
VS95006X118	1-0-4-1	9-1/2	10-1/4	1-3/16
VS95008X187	1-0-5-1	9-1/2	10-1/2	1-7/8
VS100008X187	1-0-5-1	10	11	1-7/8
VS105004X100	1-0-5-1	10-1/2	11	1
VS105008X187	1-0-5-1	10-1/2	11-1/2	1-7/8
VS110008X187	1-0-5-1	11	12	1-7/8
VS120008X187	1-0-5-1	12	13	1-7/8
VS140008X187	1-0-5-1	14	15	1-7/8

EMPAQUES "V"

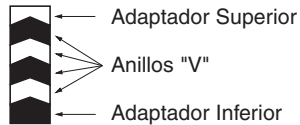
El color del sello puede variar. Medidas especiales estan disponibles. Medidas no ofrecidas en el catalogo pueden tambien ser ordenadas para entrega al siguiente dia a traves de nuestro programa de sellos especiales. Por favor comunicarse con su representante de ventas para asistencia inmediata.

SETS DE JUEGOS DE EMPAQUES EN V DE FLUOROCARBONO

Estos juegos están fabricados totalmente en fluorocarbono y tejido de lona, y sus aplicaciones no difieren de las de los juegos en V estándar. Excelente resistencia al calor.



3,000 PSI = 4 ANILLOS V
5,000 PSI = 5 ANILLOS V



INFORMACIÓN DEL SELLO

MATERIAL	FLUOROCARBON / DUCK
RANGO DE TEMPERATURA	-28° a +177° C
RANGO DE PRESIÓN	0 a 5,000 PSI
VELOCIDAD	1.5 Pie/Seg
N° de Parte	(Prefijo) (DI) (ST) X (Altura)

EMPAQUES "V"

N° de Parte	A - D.I.	B - D.E.	C - A
VS10004X100V	1	1-1/2	1
VS15005X100V	1-1/2	2-1/8	1
VS17505X100V	1-3/4	2-3/8	1
VS17506X100V	1-3/4	2-1/2	1
VS18705X100V	1-7/8	2-1/2	1
VS20004X100V	2	2-1/2	1
VS20005X100V	2	2-5/8	1
VS20006X100V	2	2-3/4	1
VS21206X100V	2-1/8	2-7/8	1
VS22504X100V	2-1/4	2-3/4	1
VS22505X100V	2-1/4	2-7/8	1
VS25004X100V	2-1/2	3	1
VS25005X100V	2-1/2	3-1/8	1
VS25006X100V	2-1/2	3-1/4	1
VS27506X100V	2-3/4	3-1/2	1
VS30004X100V	3	3-1/2	1
VS30005X100V	3	3-5/8	1
VS30006X100V	3	3-3/4	1

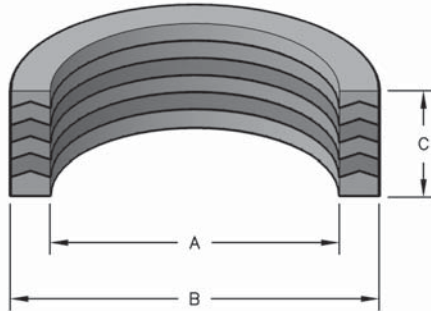
N° de Parte	A - D.I.	B - D.E.	C - A
VS32506X100V	3-1/4	4	1
VS35004X100V	3-1/2	4	1
VS35006X100V	3-1/2	4-1/4	1
VS35008X112V	3-1/2	4-1/2	1-1/8
VS37506X100V	3-3/4	4-1/2	1
VS40004X100V	4	4-1/2	1
VS40006X100V	4	4-3/4	1
VS40008X094V	4	5	0.94
VS42507X106V	4-1/4	5-1/8	1-1/16
VS42508X112V	4-1/4	5-1/4	1-1/8
VS45008X112V	4-1/2	5-1/2	1-1/8
VS50004X100V	5	5-1/2	1
VS50006X100V	5	5-3/4	1
VS50007X109V	5	5-7/8	1.09
VS55004X100V	5-1/2	6	1
VS57506X100V	5-3/4	6-1/2	1
VS60004X100V	6	6-1/2	1
VS60008X101V	6	7	1-1/64

El color del sello puede variar. Medidas especiales estan disponibles. Medidas no ofrecidas en el catalogo pueden tambien ser ordenadas para entrega al siguiente dia a traves de nuestro programa de sellos especiales. Por favor comunicarse con su representante de ventas para asistencia inmediata.

CONJUNTOS DE EMPAQUES EN V ESPECIALES

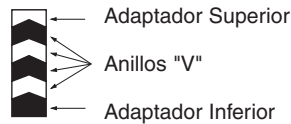


La mayoría de los siguientes conjuntos en V, por su medida y/o construcción, son para usos en aplicaciones únicas, en bombas y cilindros especialmente diseñados. NOTA: los conjuntos de empaques con un sufijo "W" incluyen un rascador. Asegúrese de conocer la construcción del material del conjunto en V antes de solicitarlo. Si tiene alguna pregunta, comuníquese con uno de nuestros especialistas en productos para aclarar sus dudas.



Código de Construcción Ejemplo: 1-2F-1

1 - 1 Adaptador Superior
2F - 2 Anillos "V" de tela
1 - 1 Adaptador Inferior



INFORMACIÓN DEL SELLO

MATERIAL	F = LONA & CAUCHO, U = URETANO, N = NILÓN, T = PTFE, R = CAUCHO
RANGO DE TEMPERATURA	-37° a +104° C
RANGO DE PRESIÓN	0 a 10,000 PSI
VELOCIDAD	1.5 Pie/Seg
N° de Parte	(Prefijo) (DI) (ST) X (Altura)

N° de Parte	Const. T-V-B	A - D.I.	B - D.E.	C - A
VS07504X068	1-2F-1	3/4	1-1/4	11/16
VS08104X071	0-4F-1	13/16	1-5/16	.710
VS12504X087	1-3R-2T-1	1-1/4	1-3/4	7/8
VS15005X106	1-3R-2T-1	1-1/2	2-1/8	1-1/16
VS17503X043	0-4F-0	1-3/4	2-1/8	7-16
VS17504X068	1-2R-2T-0	1-3/4	2-1/4	11/16
VS17505X100S	1-3R-2T-0	1-3/4	2-3/8	1
VS20004X062	1-1U-1F-1	2	2-1/2	5/8
VS20004X087W	0-2U-2F-0	2	2-1/2	7/8
VS20008X125	1-3F-1	2	3	1-1/4
VS22004X100	1-3F-2U-1	2.200	2.700	1
VS25003X043	0-4F-0	2-1/2	2-7/8	7/16
VS26205X075	1-2U-2T-0	2-5/8	3-1/4	3/4
VS27006X106	1-2F-1U-1	2.700	3.450	1-1/16
VS27504X075	1-2N-1R-1	2-3/4	3-1/4	3/4
VS27506X112	1-3R-2T-0	2-3/4	3-1/2	1-1/8
VS29504.4X100W	1-2F-2U-1	2.950	3-1/2	1
VS29504X100	1-3F-2U-1	2.950	3.450	1
VS29704.4X112W	0-3F-2U-1	2.970	3.520	1-1/8
VS30004X087W	0-4F-0	3	3-1/2	7/8
VS31203X087W	0-2F-2U-0	3-1/8	3-1/2	7/8
VS31206X100	1-2R-2T-0	3-1/8	3-7/8	1
VS32503X043	0-4F-0	3-1/4	3-5/8	7/16
VS32504X125W	1-3F-2U-1	3-1/4	3-3/4	1-1/4
VS34506.4X150	1-3F-2U-1	3.450	4-1/4	1-1/2
VS35012X150	1-3F-1	3-1/2	5	1-1/2
VS35804.2X100W	1-3F-2U-1	3.580	4.110	1
VS37505X118W	1-2F-2U-1	3-3/4	4-3/8	1-3/16

N° de Parte	Const. T-V-B	A - D.I.	B - D.E.	C - A
VS37506X106	1-2R-2T-0	3-3/4	4-1/2	1-1/16
VS39504.4X125W	1-2F-2U-1	3.950	4-1/2	1-1/4
VS39704.4X100W	0-3F-2U-1	3.970	4.520	1
VS40004X087W	0-2R-2U-0	4	4-1/2	7/8
VS40004X100W	1-3F-2U-1	4	4-1/2	1
VS42504X125W	1-3F-2U-1	4-1/4	4-3/4	1-1/4
VS44704.4X093	0-2F-3U-0	4.475	5.025	15/16
VS45004X087	1-4F-1	4-1/2	5	7/8
VS45004X087A	1-2F-2U-1	4-1/2	5	7/8
VS45007X118	1-2R-2T-0	4-1/2	5-3/8	1-3/16
VS47505X125W	1-2F-2U-1	4-3/4	5-3/8	1-1/4
VS47506X087	0-2N-1N-1	4-3/4	5-1/2	7/8
VS49504.4X125W	1-2F-2U-1	4.950	5-1/2	1
VS49704.4X112W	0-3F-2U-1	4.970	5.520	1-1/8
VS50004X100W	1-3F-2U-1	5	5-1/2	1
VS50004X112W	1-3F-2U-1	5	5-1/2	1
VS52506X087	0-2N-1R-1	5-1/4	6	7/8
VS54404X112W	1-3F-2U-1	5.445	5.945	1-1/8
VS54704.4X093	0-2F-3U-0	5.475	6.025	15/16
VS57006X106	1-2F-1U-1	5.700	6.450	1-1/16
VS57505X087	1-2R-2T-0	5-3/4	6-3/8	7/8
VS57505X125W	1-2F-2U-1	5-3/4	6-3/8	1-1/4
VS58704X100W	1-4F-1	5-7/8	6-3/8	1
VS59504.4X125W	1-2F-2U-1	5.950	6-1/2	1-1/4
VS59704.4X112W	0-3F-2U-1	5.970	6.520	1-1/8
VS60004X087W	0-2F-2U-0	6	6-1/2	7/8
VS60004X100W	1-3F-2U-1	6	6-1/2	1
VS60004X112W	1-3F-2U-1	6	6-1/2	1

EMPAQUES "V"

CONJUNTOS DE EMPAQUES EN V ESPECIALES

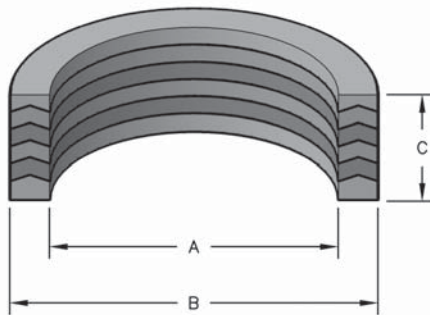
EMPAQUES "V"

N° de Parte	Const. T-V-B	A - D.I.	B - D.E.	C - A
VS62505X125W	1-3F-2U-1	6-1/4	6-7/8	1-1/4
VS64404X112W	1-3F-2U-1	6.445	6.945	1-1/8
VS64704.4X093	0-2F-3U-0	6.475	7.025	15/16
VS67505X125W	1-2F-2U-1	6-3/4	7-3/8	1-1/4
VS69504.4X125W	1-2F-2U-1	6.950	7-1/2	1-1/4
VS69704.4X112W	0-3F-2U-1	6.970	7.520	1-1/8
VS70004X100W	1-3F-2U-1	7	7-1/2	1
VS70004X112W	1-3F-2U-1	7	7-1/2	1
VS74404X112W	1-3F-2U-1	7.445	7.945	1-1/8
VS75005X125W	1-3F-2U-1	7-1/2	8-1/8	1-1/4
VS79005.1X125W	1-2F-2U-1	7.905	8.543	1-1/4
VS79504.4X125W	1-2F-2U-1	7.950	8-1/2	1-1/4

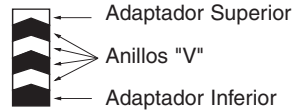
N° de Parte	Const. T-V-B	A - D.I.	B - D.E.	C - A
VS79704.4X112W	0-3F-2U-1	7.970	8.520	1-1/8
VS80004X100W	1-3F-2U	8	8-1/2	1
VS80004X112W	1-3F-2U-1	8	8-1/2	1
VS82506X118W	1-3F-1U-1	8-1/4	9	1-3/16
VS87505X125W	1-3F-2U-1	8-3/4	9-3/8	1-1/4
VS89504.4X125W	1-2F-2U-1	8.950	9-1/2	1-1/4
VS90006X118W	1-4F-1	9	9-3/4	1-3/16
VS91204.5X112W	0-2F-2U-1	9-1/8	9-11/16	1-1/8
VS91205X125W	1-3F-2U-1	9-1/8	9-3/4	1-1/4
VS93705X121W	1-4F-1	9-3/8	10	1-7/32
VS97506X100W	0-3F-1U-1	9-3/4	10-1/2	1
VS112506X125	1-2N-2U-1	11-1/4	12	1-3/4

CONJUNTOS EN V CASCADE

Estos conjuntos en V suelen ser de mayor tamaño o diferentes de los conjuntos en V estándar, y se utilizan principalmente en cilindros fabricados por Cascade Corp. Se suelen utilizar con cojinetes de seguidor.



3,000 PSI = 4 ANILLOS V
5,000 PSI = 5 ANILLOS V
10,000 PSI = 6 ANILLOS V



INFORMACIÓN DEL SELLO

MATERIAL	TELA DE CAUCHO REFORZADA & ANILLOS DE URETANO / ADAPTADORES DE NÍLÓN
RANGO DE TEMPERATURA	-37° a +104° C
RANGO DE PRESIÓN	0 a 10,000
VELOCIDAD	1.5 Pie/Seg
N° de Parte	(Prefix) (ID) (CS) X (Altura)

N° de Parte	A - D.I.	B - D.E.	C - A
CAS-C7501	.875	1.375	.750
CAS-7500	1.000	1.500	.781
CAS-C1809	1.250	1.750	.671
CAS-C7502	1.500	2.000	.781
CAS-C7606	1.750	2.265	.635
CAS-7505	1.750	2.265	.781
CAS-C7609	2.000	2.515	.625
CAS-C1861	2.000	2.760	1.218
CAS-1468	2.250	3.020	1.030
CAS-7542A	2.450	3.020	.671
CAS-7633	2.500	3.000	1.094
CAS-7547	2.750	3.270	.850
CAS-C1469	2.750	3.520	1.030
CAS-C7608	3.000	3.520	.671

N° de Parte	A - D.I.	B - D.E.	C - A
CAS-7565	3.000	3.520	.890
CAS-7514A	3.200	3.770	.781
CAS-7576	3.200	3.770	.828
CAS-1470	3.250	4.020	1.000
CAS-C7538	3.500	4.020	.625
CAS-C7636	3.500	4.270	1.030
CAS-C7561	3.500	4.270	1.400
CAS-1471A	3.750	4.520	1.000
CAS-C827	3.750	4.520	1.218
CAS-C7554	4.000	4.770	.813
CAS-7525	4.250	5.030	1.200
CAS-7562	4.250	5.030	1.344
CAS-7651	6.000	6.530	.875